

Parts Catalog

SM3332C Cylindrical Rider Scrubber



PREFACE

Thank you for your purchase of the new industry standard for scrubbers. Minuteman® takes great pride in offering the most dependable, reliable and best value in industrial power scrubbers and sweepers. We set the standard.

Our Customer Service Department would like to hear from you. If you see any errors, omissions or something that needs clarification in this Parts Catalog please let us know. We are working hard towards continually improving our processes to bring you the best you deserve. Please copy the form below, fill out and comment on how you found our catalog.

Thank you!
The Minuteman Team

Name: _____

Title: _____

Company Name: _____

Address: _____

Country: _____

Type of equipment or model number: _____

Comments: _____

Please return to:
Customer Service Manager
Minuteman®, Minuteman International, Inc.
14N845 U.S. Route 20
Pingree Grove, Illinois 60140 USA

Phone: (800) 323-9420
Email: tech@minutemanintl.com

This is the Parts Catalog for the Minuteman® B120R Disc Rider Scrubber machine.

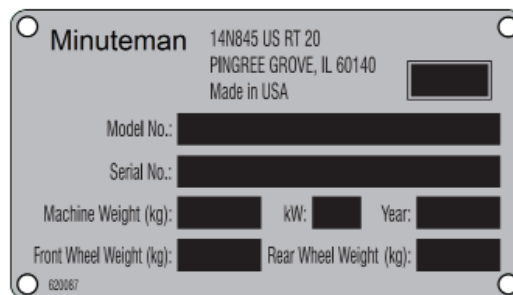
We believe this machine will provide excellent service for many years. Best results will be obtained if:

- The machine is operated with reasonable care.
- The machine is maintained regularly per the maintenance schedule provided in the User Manual.
- The machine is maintained with Minuteman® supplied or equivalent parts.

All right side and left side references to the machine (except for engine) are determined by facing the direction of forward travel. The front of the engine or engine fan faces the front of the machine. Some hardware considered to be common or locally available has been omitted from the parts section to make this manual clear. Be sure to use equivalent hardware when replacement becomes necessary.

The Model and Serial Number of your machine is shown on the I.D. name plate. This information is needed when contacting Technical Support or when ordering parts. The I.D. plate is mounted on the left side wall of the operator seating area.

Example I.D Plate:



Parts may be ordered by phone, fax or e-mail from any Minuteman® parts and service center. Before ordering parts or supplies, be sure to have your machine model number and serial number handy. For your convenience Fill out the data block below for future reference.

MACHINE DATA
Fill out at installation

Serial Number: _____

Engine Serial Number: _____

Sales Rep.: _____

Date of Install: _____

All information contained in this catalog is current at the time of printing. Minuteman International, Inc. reserves the right to make changes at any time without notice.

Minuteman®, Minuteman International, Inc., Copyright 2021, Printed in USA

TECHNICAL SPECIFICATIONS

Model: B120R Cylindrical Rider Scrubber

Model No.: SM3332CQPM

Dimensions

Name	Unit	TB 750	TB 900	WB 700	WB 850
Length of machine with squeegee	mm	1675	1675	1675	1675
Width of machine with squeegee	mm	960	1120	960	1120
Width of machine without squeegee	mm	810	950	810	950
Height of machine	mm	1440	1440	1440	1440

Working width

Brush unit	mm	750	900	700	850
Squeegee	mm	950	1100	950	1100

Weights

Weight (empty, without batteries)	kg	340	355	324	326
Total weight (ready for use)	kg	723	738	707	709
Permissible total weight	kg	870	870	870	870

Driving performance

Driving speed transportation (forwards/reverse)	km/h	6.7/3.9	6.7/3.9	6.7/3.9	6.7/3.9
Climbing capacity when cleaning	%	2	2	2	2
Climbing capacity during transport journey (ready for operation, max. 1 minute)	%	10	10	10	10
Ramp angle/Slope angle	%	18	18	18	18
Turning circle (with squeegee)	mm	2470	2470	2470	2470

Wheels

Wheel diameter	mm	305	305	305	305
Specific wheel contact pressure front/rear	N/mm ²	0,49/ 0,48	0,49/ 0,48	0,49/ 0,48	0,49/ 0,48

Tank contents

Name	Unit	TB 750	TB 900	WB 700	WB 850
Solution tank	Litre	120	120	120	120
Waste water tank	Litre	120	120	120	120

Brush head

Number of brushes	Piece	2	2	2	2
Brush speed	rpm	210	210	850	850
Min./Max. brush pressure	kg	37/60	50/70	26/33	28/35

Vacuum system

Air quantity	m ³ /h	110	118	110	118
Vacuum (maximum)	mbar	170	170	170	170

Electrical system

Nominal voltage	V	24	24	24	24
Nominal output (max.) (P1)	W	3260	3260	3100	3100
Power consumption drive motor (P1) S2-120 min	W	816	816	816	816
Power consumption vacuum motor (P1)	W	528	528	528	528
Power consumption brush motor (P1)	W	2x960	2x960	2x876	2x876
Power consumption water pump (P1)	W	100	100	100	100
Type of protection		IPX3	IPX3	IPX3	IPX3
Protection class		III	III	III	III

On-board charger

Rated input/output voltage	V	230/24	230/24	230/24	230/24
Nominal output	W	1130	1130	1130	1130
Type of protection		IP20	IP20	IP20	IP20
Protection class		I	I	I	I

Noise emission value

The sound power level (L_{wAd}) measured under the customary conditions of use according to DIN EN 60335-2-72 is:	dB (A)	85
The sound pressure level (L_{pA}) (at the ear of the driver) measured under the customary conditions of use according to DIN EN 60335-2-72 is:	dB (A)	66
Measuring uncertainty (K_{pA})	dB (A)	2

Vibration

Under the customary conditions of use, the weighted effective value of the acceleration to which the upper limbs (hand-arm) are subjected to according to DIN EN ISO 5349 is:	m/s^2	≤ 2.5
Under the customary conditions of use, the weighted effective value of the acceleration to which the body (feet or seat surface) is subjected to DIN EN ISO 2631-1 is:	m/s^2	≤ 0.5

Scrub Master Battery and Charger Chart

MODEL	DESCRIPTION	BATTERY	QTY	CHARGER	Qty
SM3032DQPM	Scrubmaster B120, 30" Disk QP, Minuteman	956724	4	957750-1	1
SM3532DQPM	Scrubmaster B120, 35" Disk QP, Minuteman	956724	4	957750-1	1
SM2832CQPM	Scrubmaster B120, 28" Cyl QP, Minuteman	956724	4	957750-1	1
SM3332CQPM	Scrubmaster B120, 33" Cyl QP, Minuteman	956724	4	957750-1	1

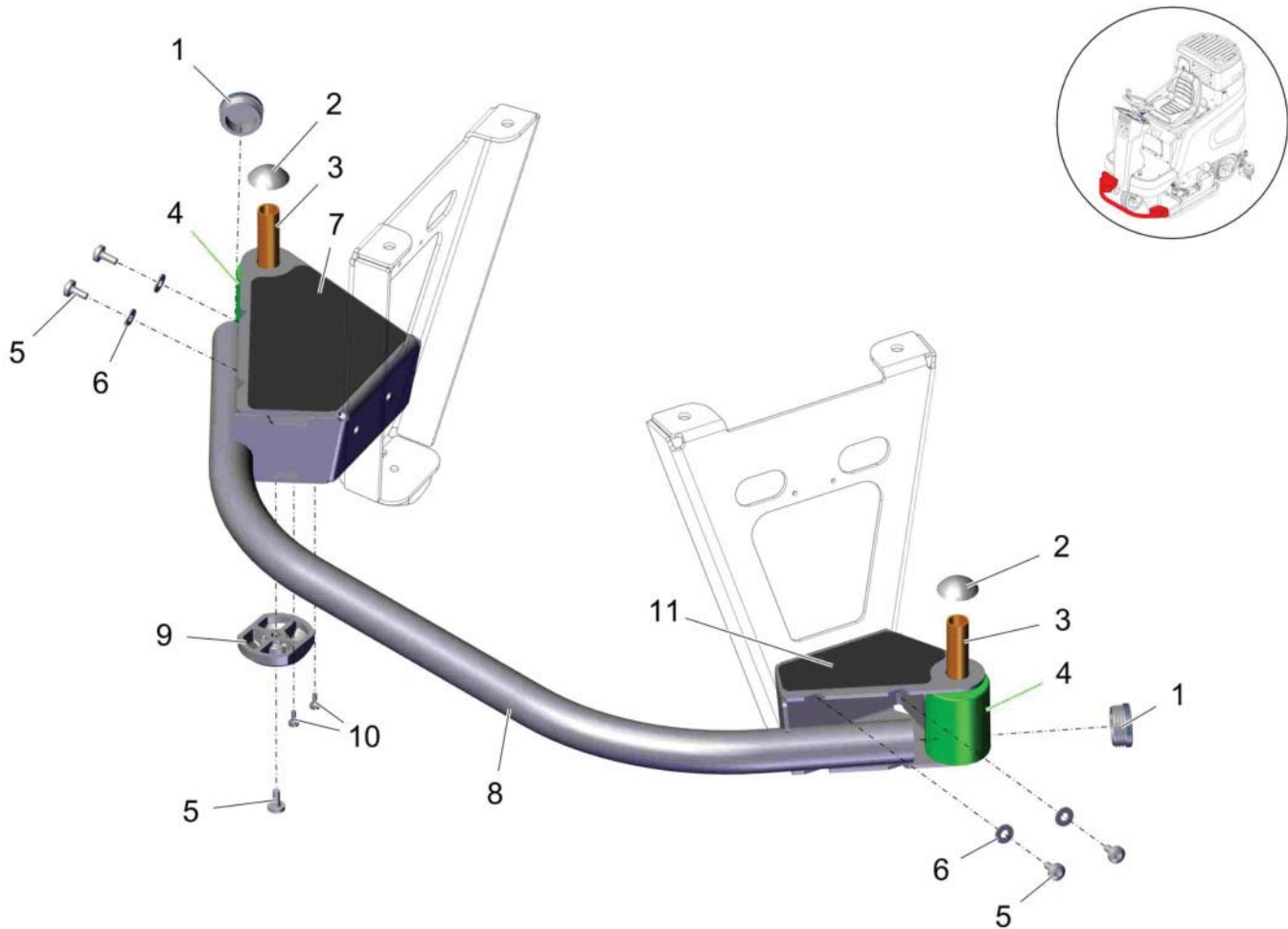
TABLE OF CONTENTS

PREFACE	2
TECHNICAL SPECIFICATIONS	4
SCRUB MASTER BATTERY AND CHARGER CHART	7
PARTS BREAKDOWN	10
BUMPER FRONT TB900-WB850 (97143713).....	10
FRONT WHEEL DRIVE (97143648)	12
CONTROL CONSOLE (97152342)	14
CONTROL PANEL (97143564).....	16
STEERING COLUMN (97152334).....	17
DRIVE SENSOR (01378020).....	18
STEERING (97143572).....	20
FRAME (97152367).....	22
SEAT GROUP (97139133)	24
WATER FILTER (97143754).....	26
TOOLS LIFTING (CYLINDRICAL BRUSH) (97143382).....	27
LIFTING (CYLINDRICAL BRUSH) (97143374).....	28
ROPE ASSEMBLY (97140479)	30
CYLINDRICAL BRUSH HEAD 85 CM (97143531).....	32
DIRT CONTAINER (01273190)	34
CYLINDRICAL BRUSH HEAD 850 (97143523)	36
CYLINDRICAL BRUSH HEAD 850, PART 1 (97143523-1)	38
CARRIER, CPL. (01072560)	40
SIDE COVER, CPL. (01072550)	41
CYLINDRICAL BRUSH HEAD 850, PART 2 (97143523-2)	42
BRUSH HEAD ROCKER (97143556)	44
ROCKER (97143549)	46
WIPER CYLINDRICAL BRUSH 850 (97143358)	48
WIPER RH & LH (97143283-97143291).....	50
WATER TANK STANDARD RED (97152391)	52
WATER TANK RED (97152375).....	54
COVER (97152383)	56
HOSE (01370140)	58
WATER TANK (01370530)	59
HINGE (97146914)	60
SQUEEGEE LINKAGE GROUP (97142921)	61
SUCTION UNIT CONNECTION (01375210).....	62
SUCTION UNIT 1100MM (01375250)	64
SQUEEGEE 1100MM (97099287)	66

ELECTRIC SYSTEM WITHOUT ONBOARD CHARGER (97158554)	68
ELECTRIC SYSTEM WITHOUT CHARGER (97158547)	69
ELECTRIC SYSTEM WITHOUT CHARGER, PART 1 (97158547-1)	70
ELECTRIC SYSTEM WITHOUT CHARGER, PART 2 (97158547-2)	72
WIRING HARNESS W1 (03022850)	74
COVER (97146187)	75
SPRINKLE NOZZLE INCLUDES HOLDER (97147185)	76
ROUGH MUD STRAINER (97132310)	78

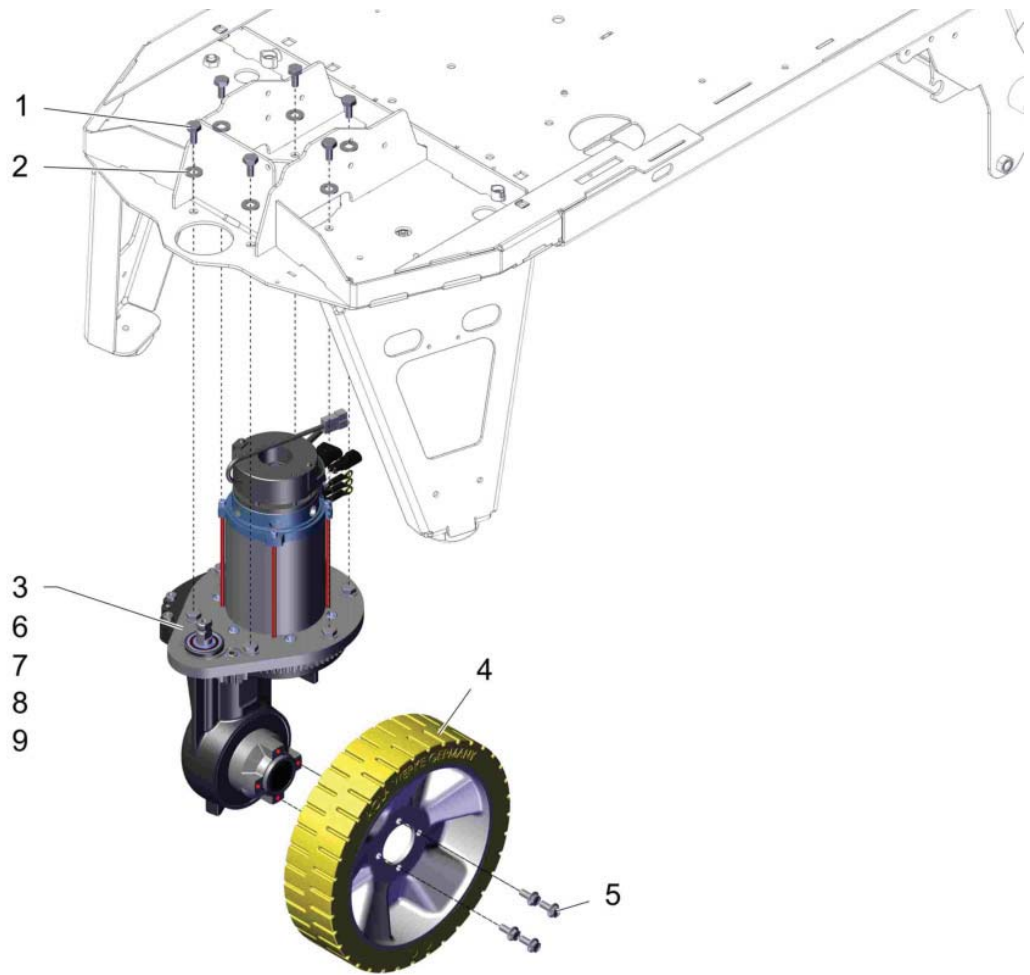
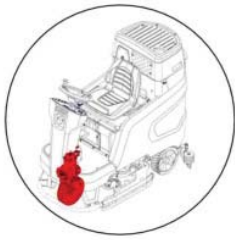
Parts Breakdown

Bumper front TB900-WB850 (97143713)



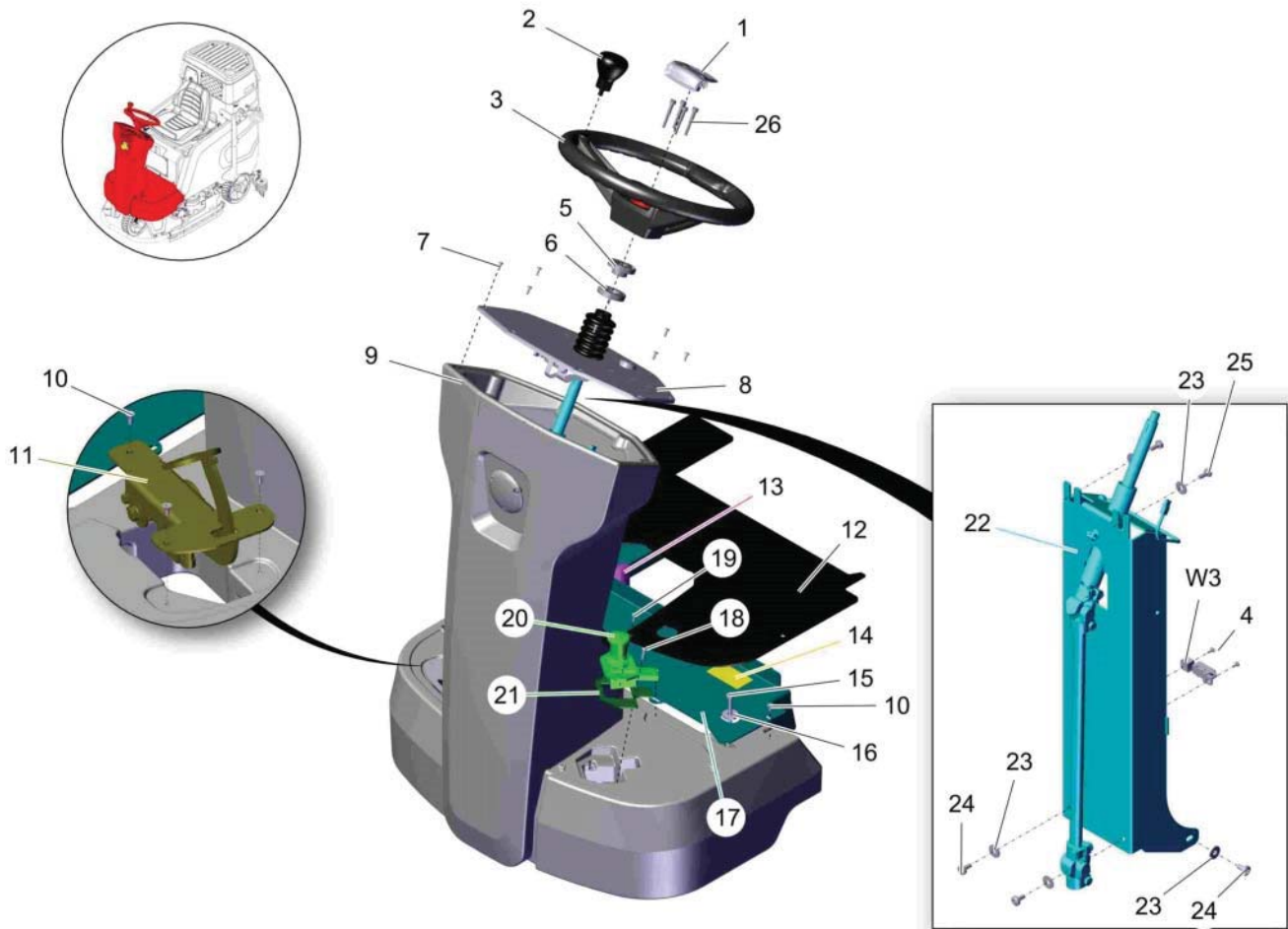
Item	Part number	Description	Qty.	Unit	Remarks
1	01135410	sealing plug	2		
2	00072270	Thrust washer	2		
3	00901590	Pipe	2		
4	01057290	Rejecting role	2		
5	01272710	Lens head screw	5		
6	00740090	Detent edged washer	4		
7	01377870	decal	1		
8	01370120	tube bow	1		
9	01371320	stay	1		
10	00959220	Screw	2		
11	01377960	decal	1		

Front wheel drive (97143648)



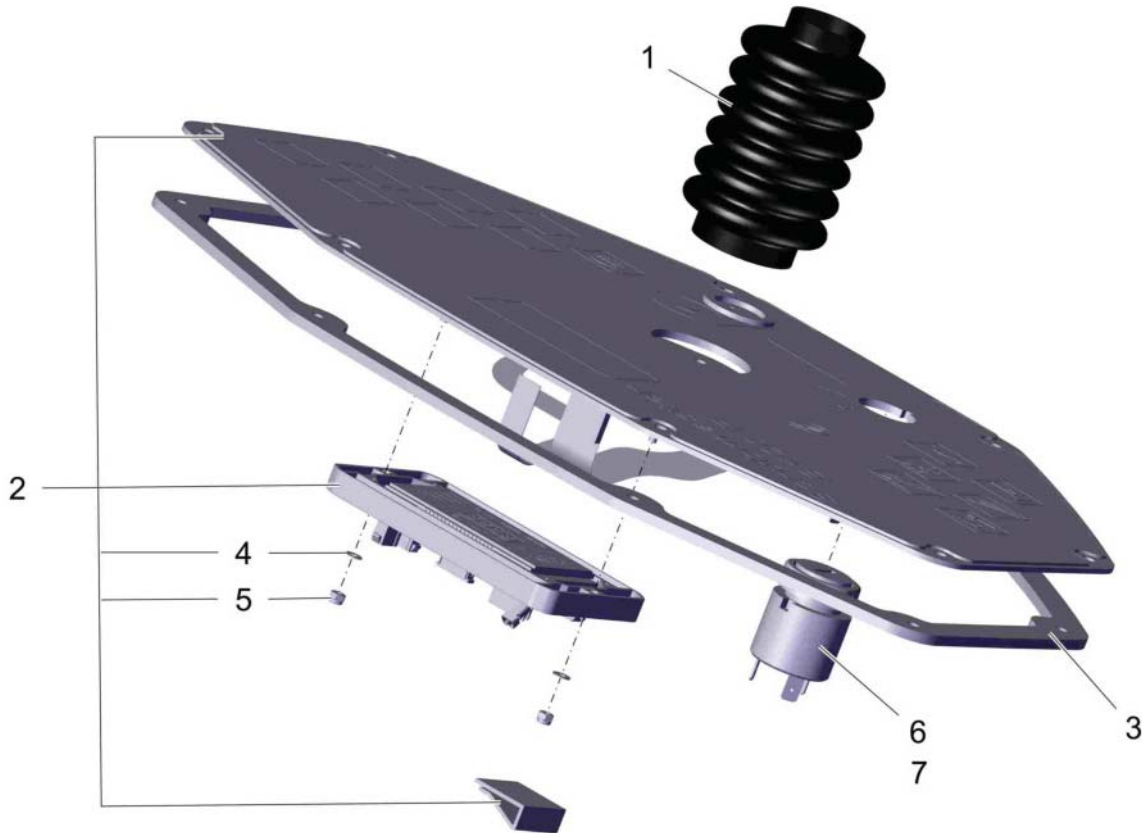
Item	Part number	Description	Qty.	Unit	Remarks
1	00021130	Hex.bolt	6		
2	00740290	Detent edged washer	6		
3	01371130	traction drive AC 24V / 550 W	1		
4	01175320	Wheel	1		
5	01171260	Hexagon screw	4		
6	01371110	repairing set pinion	1		incl. pinion, steering pinion, bolt, bearing bush, ball bearing, needle sleeve and circlips
7	01371220	repairing set gear	1		gear incl. slewing ring bearing but without oil filling
8	01376730	repairing set speed sensor	1		
9	01376640	repairing set brake	1		

Control console (97152342)



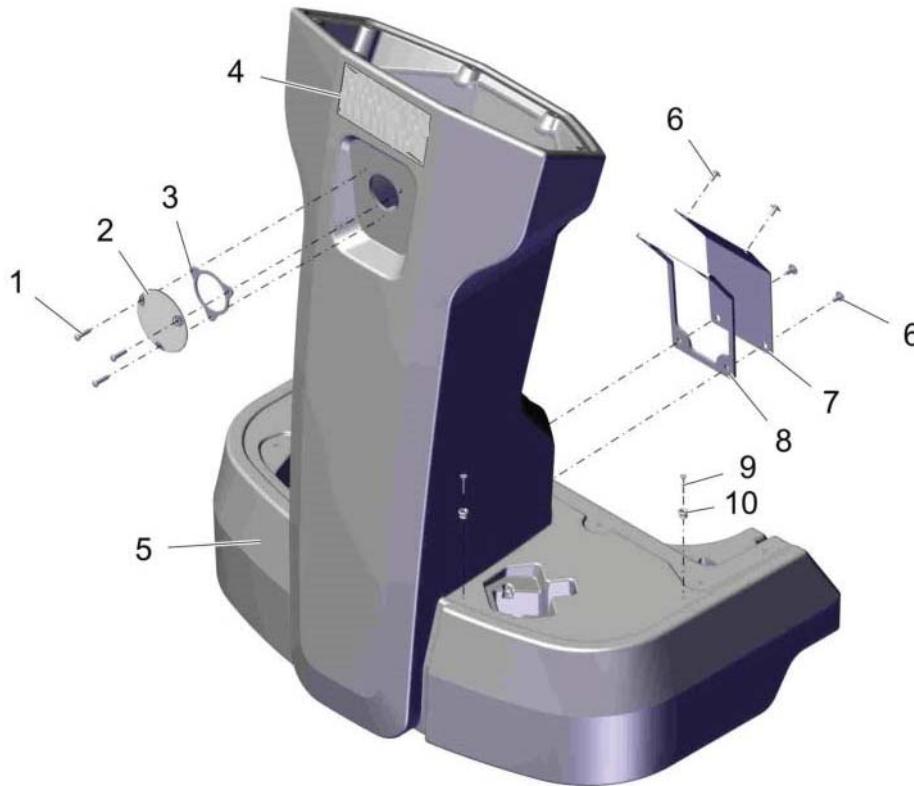
Item	Part number	Description	Qty.	Unit	Remarks
1	01375260	steering wheel cab	1		
2	01370020	knob	1		
3	01371160	steering wheel	1		incl. threaded cap
4	01112160	Screw	2		
5	01382520	flange	1		
6	01382630	ring	1		
7	01136860	Countersunk screw	8		
8	97143564	Control panel	1		
9	97152334	Steering column	1		
10	01133380	Countersunk screw	7		
11	01378020	drive sensor	1		
12	01372580	floor mat	1		
13	00461460	Edge protection	0,090		
14	03003000	Transparency	2		
15	00020370	Hexagon screw	2		
16	00879170	Washer	2		
17	---	Spare part on request	1		96153804 step
18	01078160	Screw	2		
19	00959220	Screw	2		
20	01145750	Foot switch	1		
21	01372900	plate	1		
22	97143572	Steering	1		
23	00740080	Washer	6		
24	01272710	Lens head screw	4		
25	00053080	Hexagon screw	2		
26	01382410	socket head screw	1		
W3	03019180	wiring harness W3	1		

Control panel (97143564)



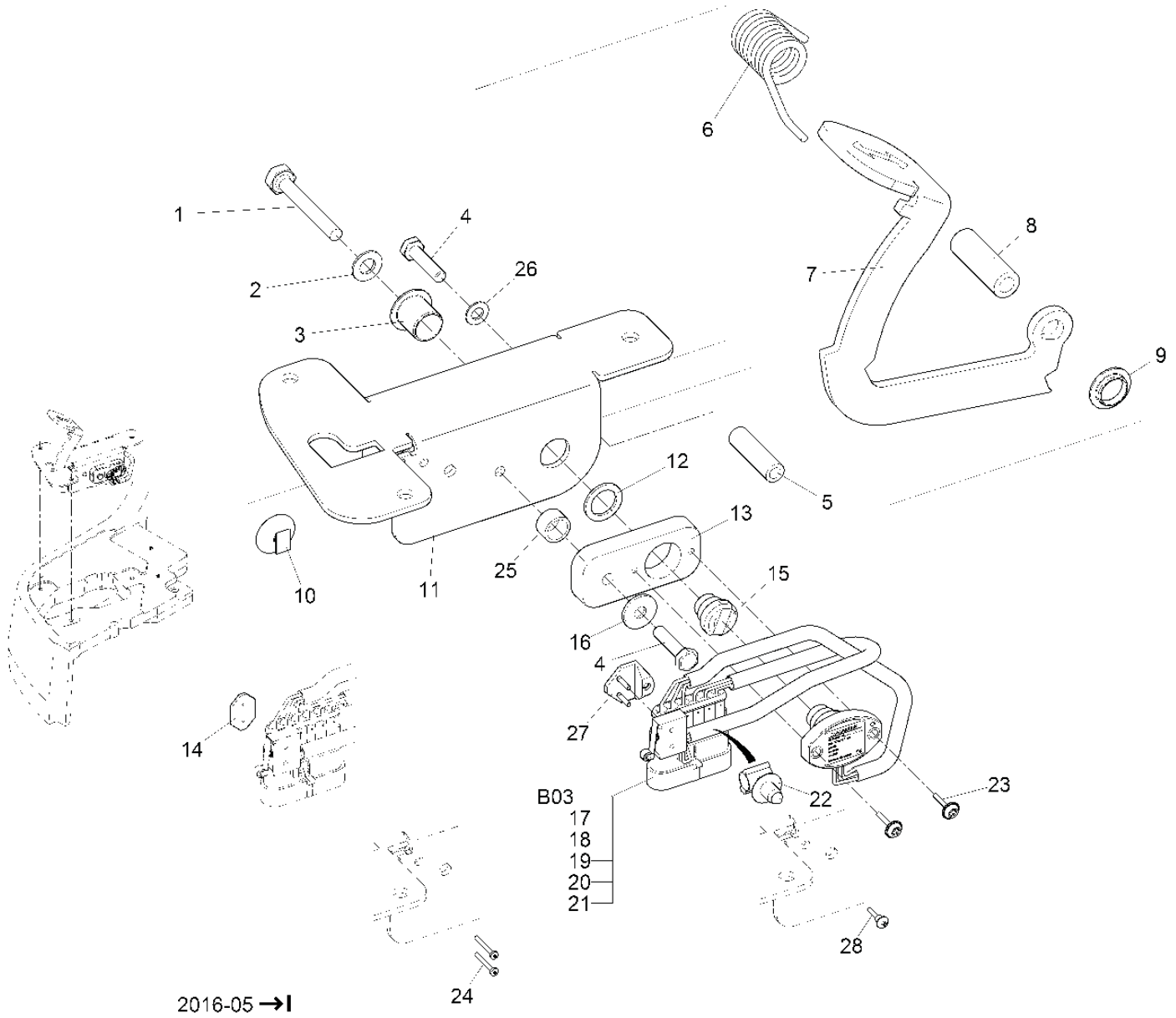
Item	Part number	Description	Qty.	Unit	Remarks
1	01054880	Bellows	1		
2	01370600	control panel	1		
3	01372300	gasket	1		
4	00553740	Washer	2		
5	00022200	Hex. Nut	2		
6	00021710	Key switch	1		
7	00745890	Set (2pc.) key	1		

Steering column (97152334)



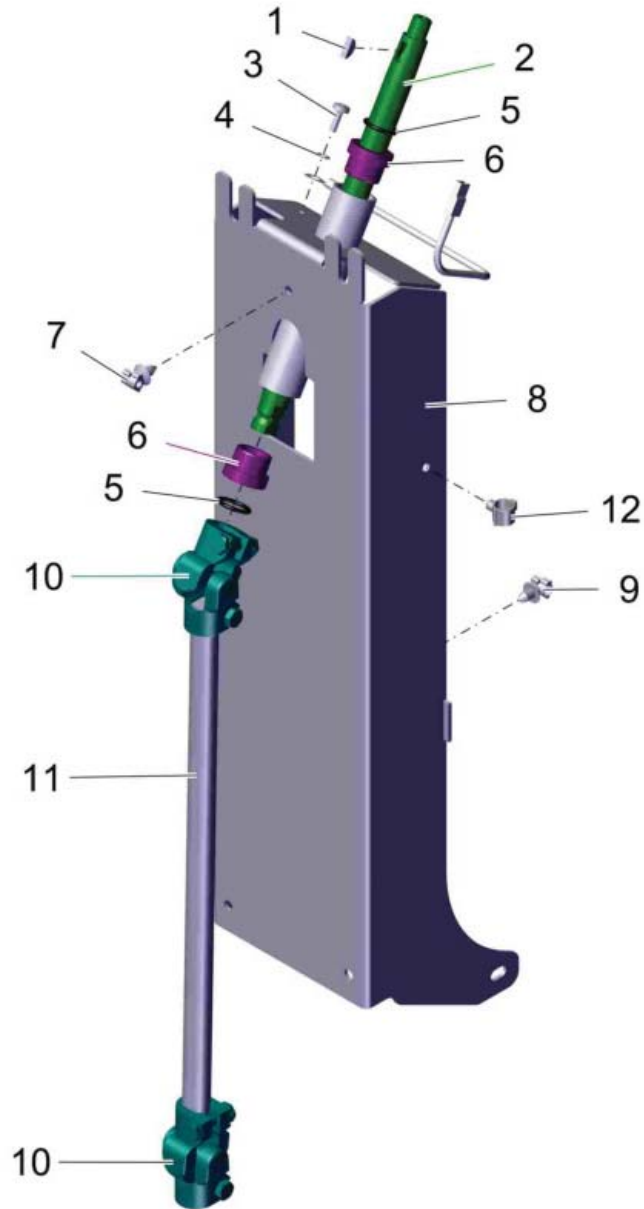
Item	Part number	Description	Qty.	Unit	Remarks
1	01078160	Screw	3		
2	---	Spare part on request	1		90535972 cap
3	01072000	Seal	1		
4	715914W	Decal Minuteman	1		
5	03018970	steering column	1		
6	01072520	Lens flange screw	4		
7	01382150	cover	1		
8	01381960	gasket	1		
9	01073120	Amtec screw	4		
10	01073130	Knob	4		

Drive sensor (01378020)



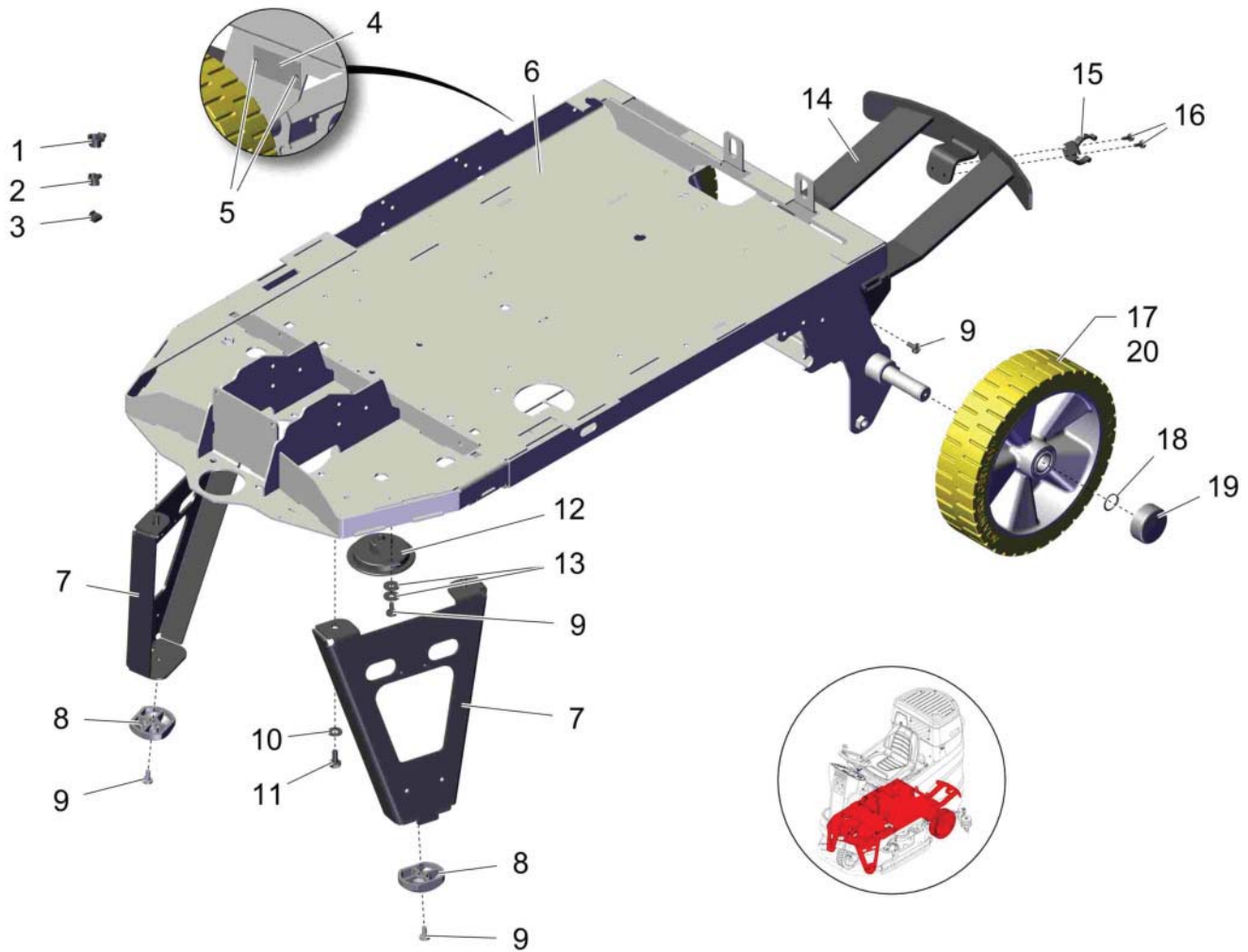
Item	Part number	Description	Qty.	Unit	Remarks
1	00523790	Hex.bolt	1		
2	00101550	Washer	1		
3	00740190	Slide bearing bush	1		
4	00133130	Screw	2		
5	01064890	Hose	0,040		
6	01277850	Leg spring	1		
7	01372710	accelerator pedal	1		
8	01372690	clamping bush	1		
9	01055150	Slide bearing bush	1		
10	01278080	Mounting clip	1		
11	01372700	pedal retainer	1		
12	01372160	starting disk	1		
13	01372170	retainer	1		
14	01473610	Threaded plate	1		til appr. 2016-05
15	---	Spare part on request	1		96145941 Solenoid retainer
16	00854210	Washer	1		
17	01006190	Seal	6		
18	01141370	Hose	0,420		
19	00696680	Micro switch	1		
20	03003250	Pin housing	1		
21	01006210	Pin contact	6		
22	01493500	Retainer	1		
23	01078860	Screw	2		
24	01141220	Lens head screw	2		til appr. 2016-05
25	00901550	Bushing	1		
26	00053730	Washer	1		
27	01372180	retainer	1		from appr. 2016-06
28	00902430	Screw	1		from appr. 2016-06
B03	01277740	Angle sensor	1		incl. pos. 17-21!

Steering (97143572)



Item	Part number	Description	Qty.	Unit	Remarks
1	00701170	Woodruff key	1		
2	01377370	shaft	1		
3	00539730	Screw	1		
4	01072030	Toothed washer	1		
5	00554400	O-ring oil resistant	2		
6	00523630	Bushing	2		
7	01493440	Retainer	1		
8	---	Spare part on request	1		96152111 steering carrier
9	01493500	Retainer	1		
10	00746040	Cardan joint	2		
11	---	Spare part on request	1		90687856 shaft
12	01494500	support	1		

Frame (97152367)



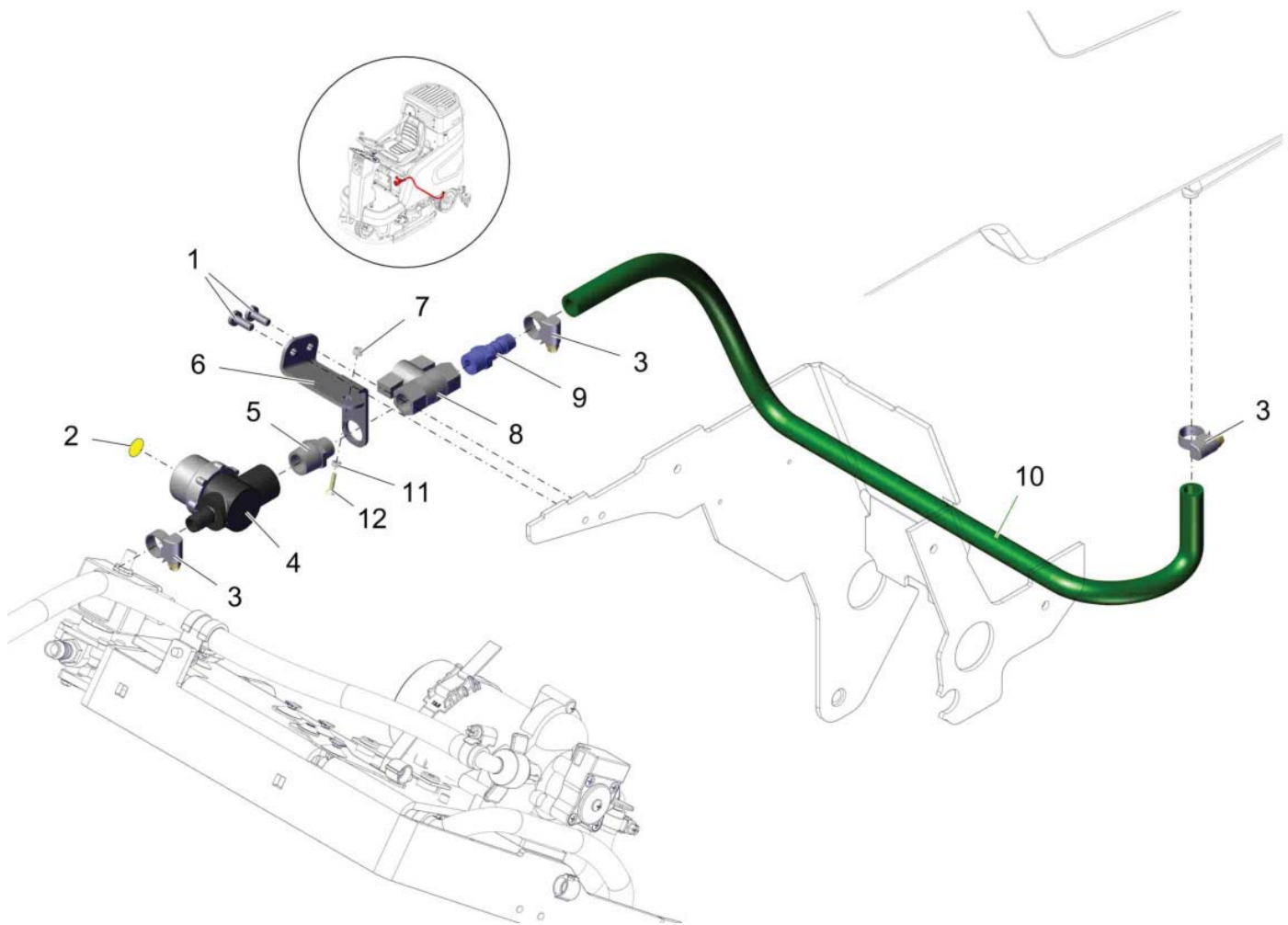
Item	Part number	Description	Qty.	Unit	Remarks
1	01370710	retainer holder corrugated hose	11		
2	01494500	support	11		
3	01154830	Cage nut	2		
4	03008410	Type plate POWERBOSS	1		
5	00504370	Blind rivet	2		
6	03021730	chassis B120 R	1		
7	---	Spare part on request	2		92006204 stay
8	01371320	stay	2		
9	01272710	Lens head screw	5		
10	00740290	Detent edged washer	4		
11	00021130	Hex.bolt	4		
12	01133200	Horn	1		
13	00042900	Washer	2		
14	01374980	bumper rear	1		
15	01078120	Hose support	1		
16	00539730	Screw	2		
17	01071650	Wheel	2		
18	00022460	Retaining ring	2		
19	01171530	Cap	2		
20	00281050	Deep groove ball bearing	2		

Seat group (97139133)



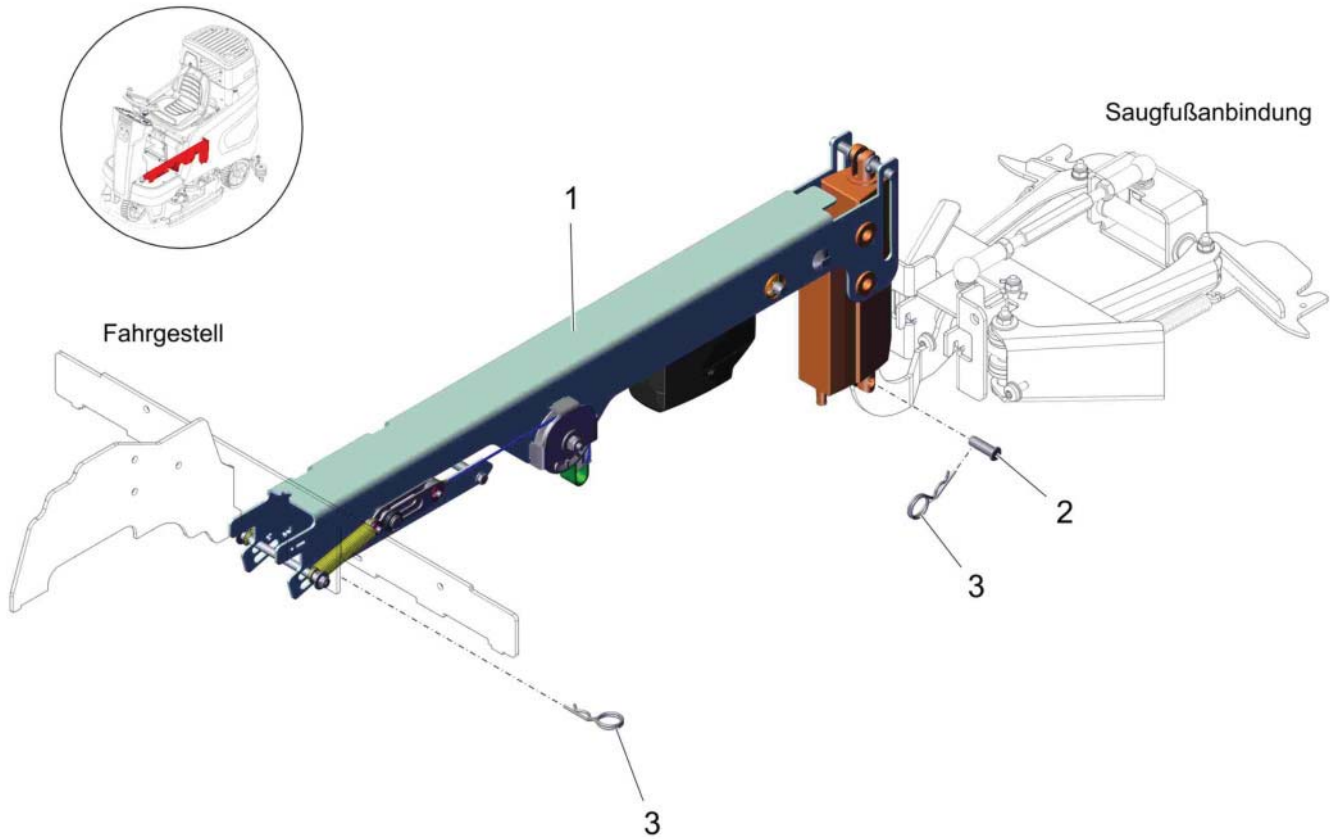
Item	Part number	Description	Qty.	Unit	Remarks
1	01277650	seat	1		
2	01370010	driver seat	1		
3	01000670	Lens flange screw	2		
4	00053750	Washer	3		
5	01169470	storage bowl	1		
6	00102140	Hex. Nut	2		
7	00102150	Washer	2		
8	00854210	Washer	2		
9	00137700	Spring ring	2		
10	00694790	Socket head screw	2		
11	03022980	seat sheet metal	1		
12	00042900	Washer	7		
13	00051510	Hex. Nut	5		
14	00154410	Cylinder head screw	1		with comfort seat
15	00740310	Washer	2		with comfort seat
16	00053350	Hex. Nut	2		with comfort seat
17	01178010	Attachment base	1		
18	00121010	Cable tie	1		
19	01277720	Key	1		
20	00800100	Edge protection	0,040		
21	01493440	Retainer	1		
22	00903290	Tube clamp	1		
23	00501420	Screw	1		
24	---	Spare part on request	1		92017755 socket head wrench
25	00460890	Hose	0,060		
26	01055740	Webbing	1		
27	01006820	Lens flange screw	1		
28	01372590	decal REFERENCES	1		
29	00102790	Cylinder head screw	4		
30	01277700	Seat contact switch	1		

Water filter (97143754)



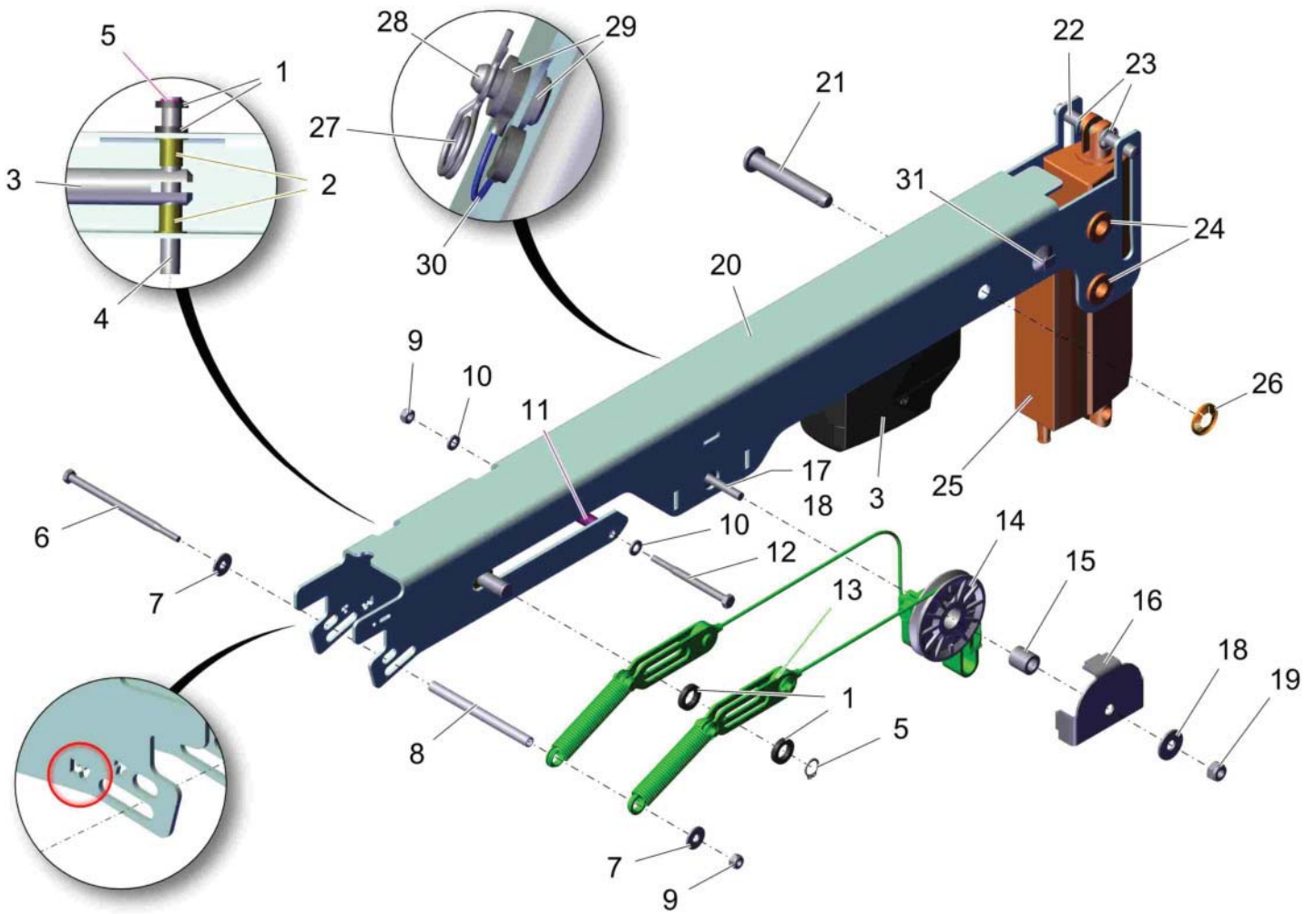
Item	Part number	Description	Qty.	Unit	Remarks
1	00539730	Screw	2		
2	01179160	Decal yellow point	1		
3	01015350	Hose clamp	3		
4	01277880	Filter	1		
5	00521140	Double nipple	1		
6	---	Spare part on request	1		90697335 retainer
7	00133830	Hex. Nut	1		
8	00952760	Ball tap	1		
9	00976140	Screwed plug	1		
10	00112010	Hose	0,780		
11	00052810	Hex. Nut	1		
12	00051890	Countersunk screw	1		

Tools lifting (Cylindrical brush) (97143382)



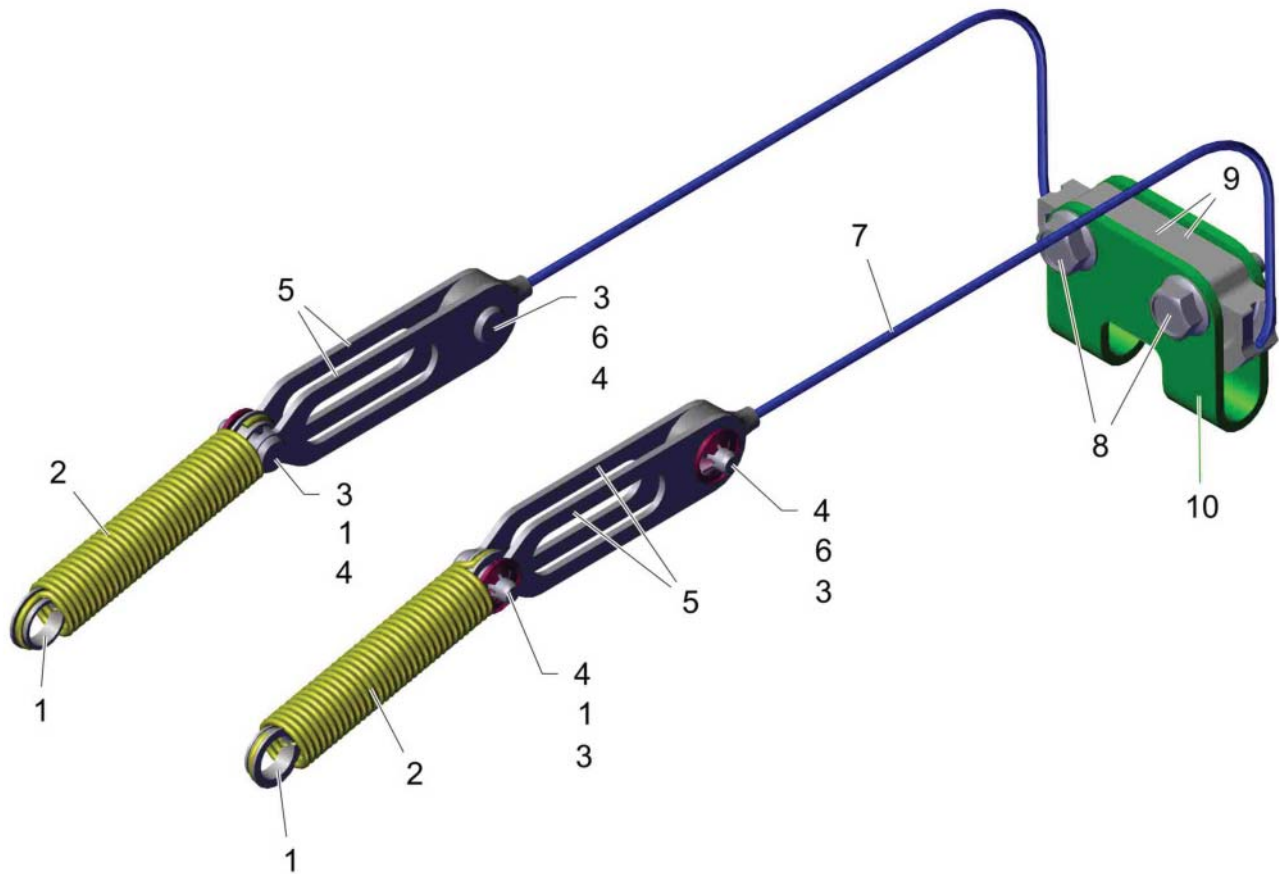
Item	Part number	Description	Qty.	Unit	Remarks
1	97143374	Lifting (cylindrical brush)	1		
2	00043450	Clevis pin	1		
3	00744820	Cotter pin	2		

Lifting (Cylindrical brush) (97143374)



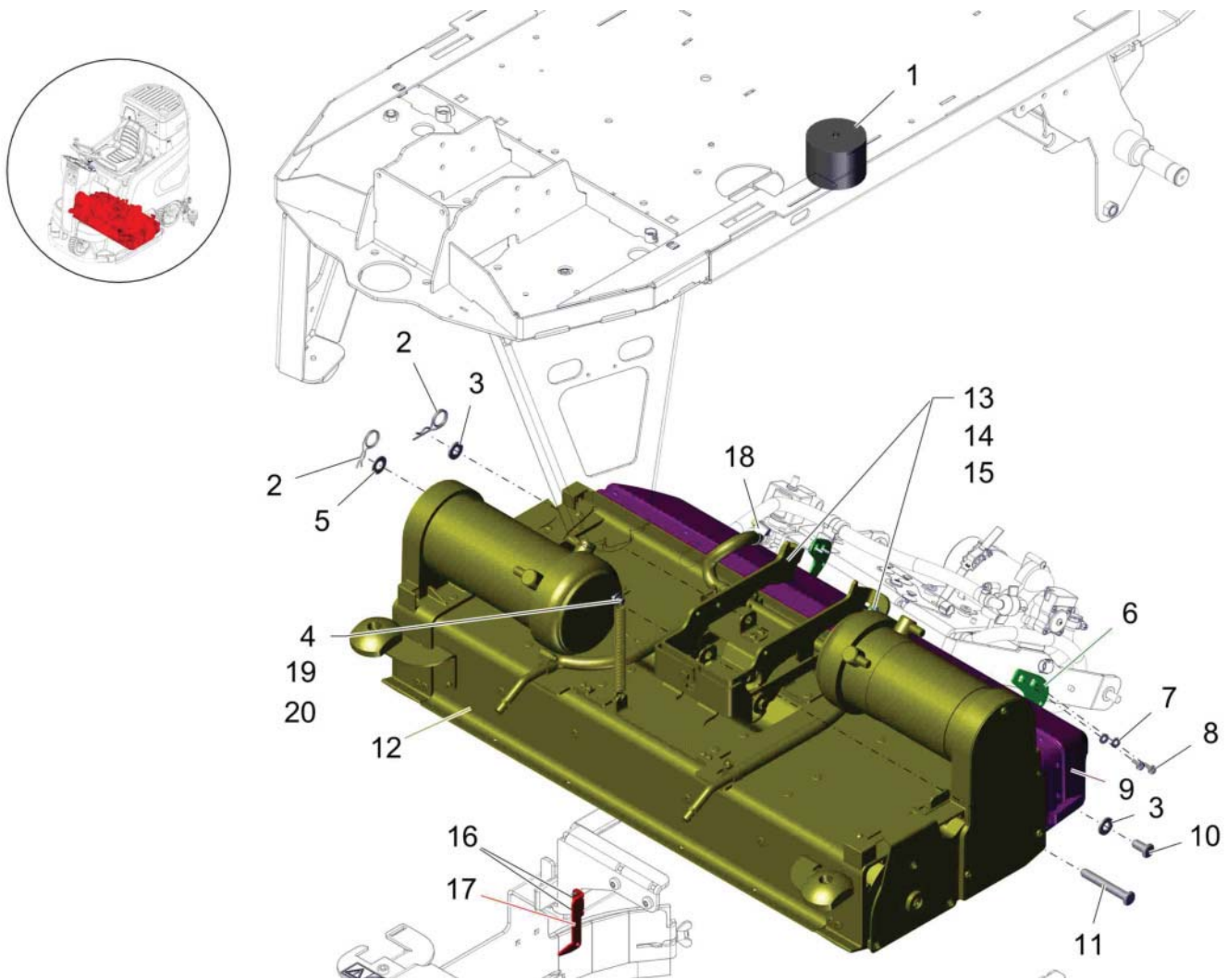
Item	Part number	Description	Qty.	Unit	Remarks
1	---	Spare part on request	4		90698895 bushing
2	01072930	Slide bearing bush	2		
3	01370110	lifting element	1		
4	01371000	bolt	1		
5	00072440	Circlip	2		
6	01370970	hexagon srew	1		
7	00135120	Washer	2		
8	01015400	Pipe	0,100		
9	00051520	Hex. Nut	2		
10	00053730	Washer	2		
11	01371030	spacer tube	1		
12	00555460	Hex.bolt	1		
13	97140479	Rope assembly	1		
14	00521270	Roller	2		
15	01371020	bushing	2		
16	01370980	rope assurance	2		
17	00054690	Hexagon screw	2		
18	00042900	Washer	4		
19	00051510	Hex. Nut	2		
20	01370990	retainer	1		
21	01078040	Bolt	1		
22	00102390	Cylinder pin	1		
23	00852380	Thrust washer	2		
24	00156690	Cable sleeve	4		
25	01370030	lifting element	1		
26	00706180	Thrust washer	1		
27	00744820	Cotter pin	1		
28	00901510	Bolt	1		
29	00151200	Washer	2		
30	01371010	rope	1		
31	01278080	Mounting clip	1		

Rope assembly (97140479)



Item	Part number	Description	Qty.	Unit	Remarks
1	00737670	Slide bearing	2		
2	01371090	tension spring	2		
3	00023290	Thrust washer	4		
4	00736570	Bolt	4		
5	01371080	lug	1		
6	00862430	Bushing	2		
7	01371060	rope	1		
8	01371040	screw	2		
9	01371070	cable guide	2		
10	01371050	roller assembly	1		

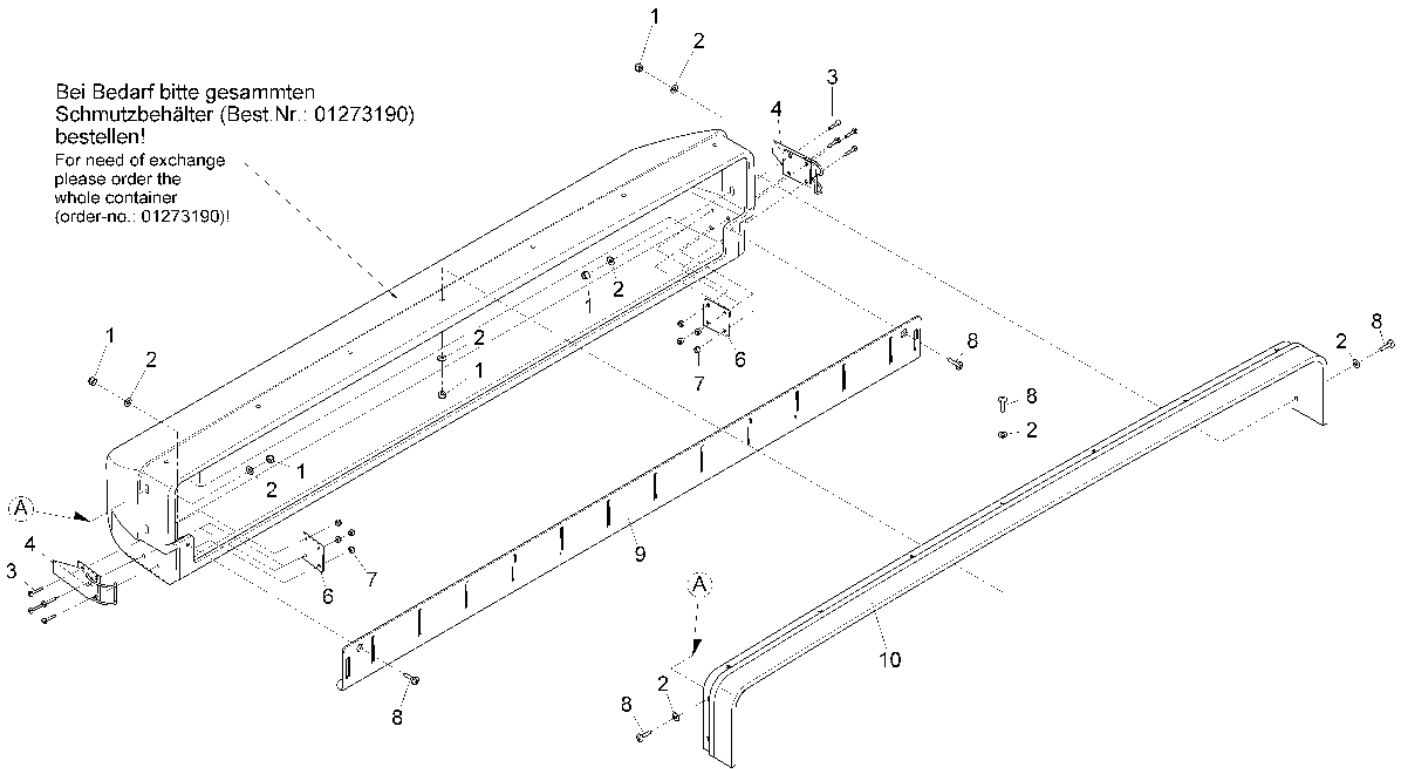
Cylindrical brush head 85 cm (97143531)



Item	Part number	Description	Qty.	Unit	Remarks
1	01278160	Buffer	2		
2	00744820	Cotter pin	2		
3	00151200	Washer	2		
4	00736570	Bolt	1		
5	01102770	Approach disk	1		
6	01375140	guide bar	1		
7	00730940	Detent edged washer	4		
8	00539730	Screw	4		
9	01273190	Dirt container (Available! No.: 01273190)	Page	32	
10	00901510	Bolt	1		
11	00879630	Bolt	1		
12	97143523	Cylindrical brush head 850	Page	34	
13	01103290	Round head screw	2		
14	00053750	Washer	2		
15	00051510	Hex. Nut	2		
16	00959220	Screw	2		
17	---	Spare part on request	1		92003532 indicator
18	01015350	Hose clamp	1		
19	00135120	Washer	1		
20	00534540	Cotter pin	1		

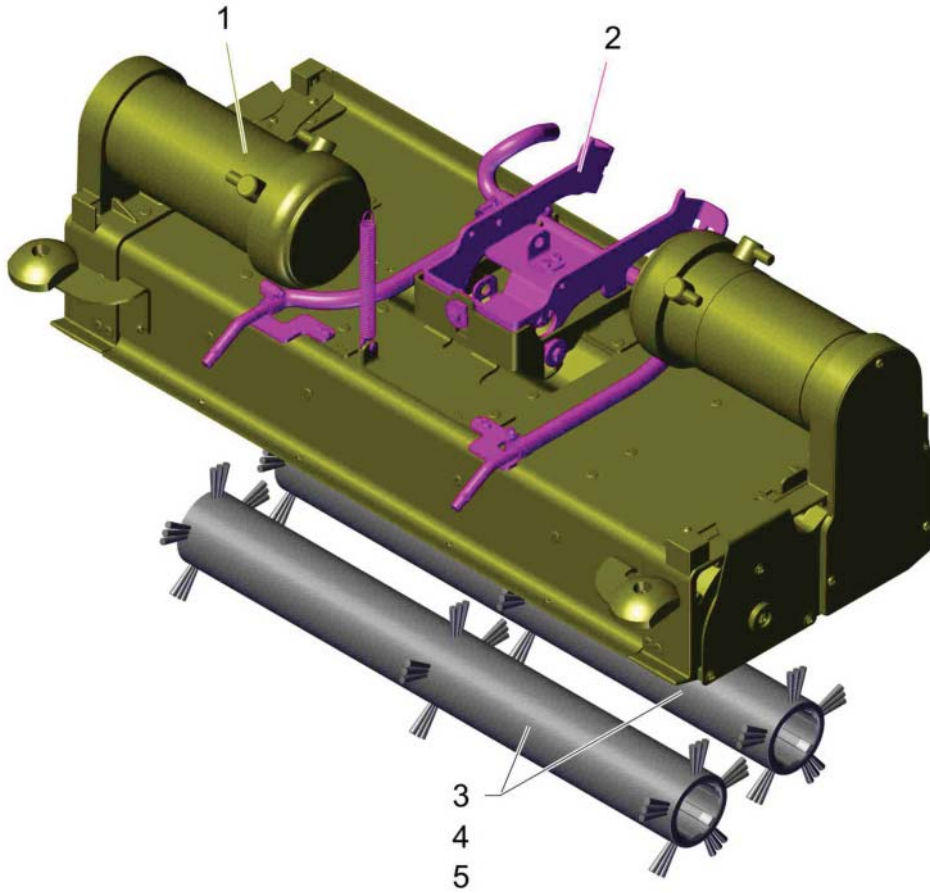
Dirt container (01273190)

Bei Bedarf bitte gesamten
Schmutzbehälter (Best.Nr.: 01273190)
bestellen!
For need of exchange
please order the
whole container
(order-no.: 01273190)



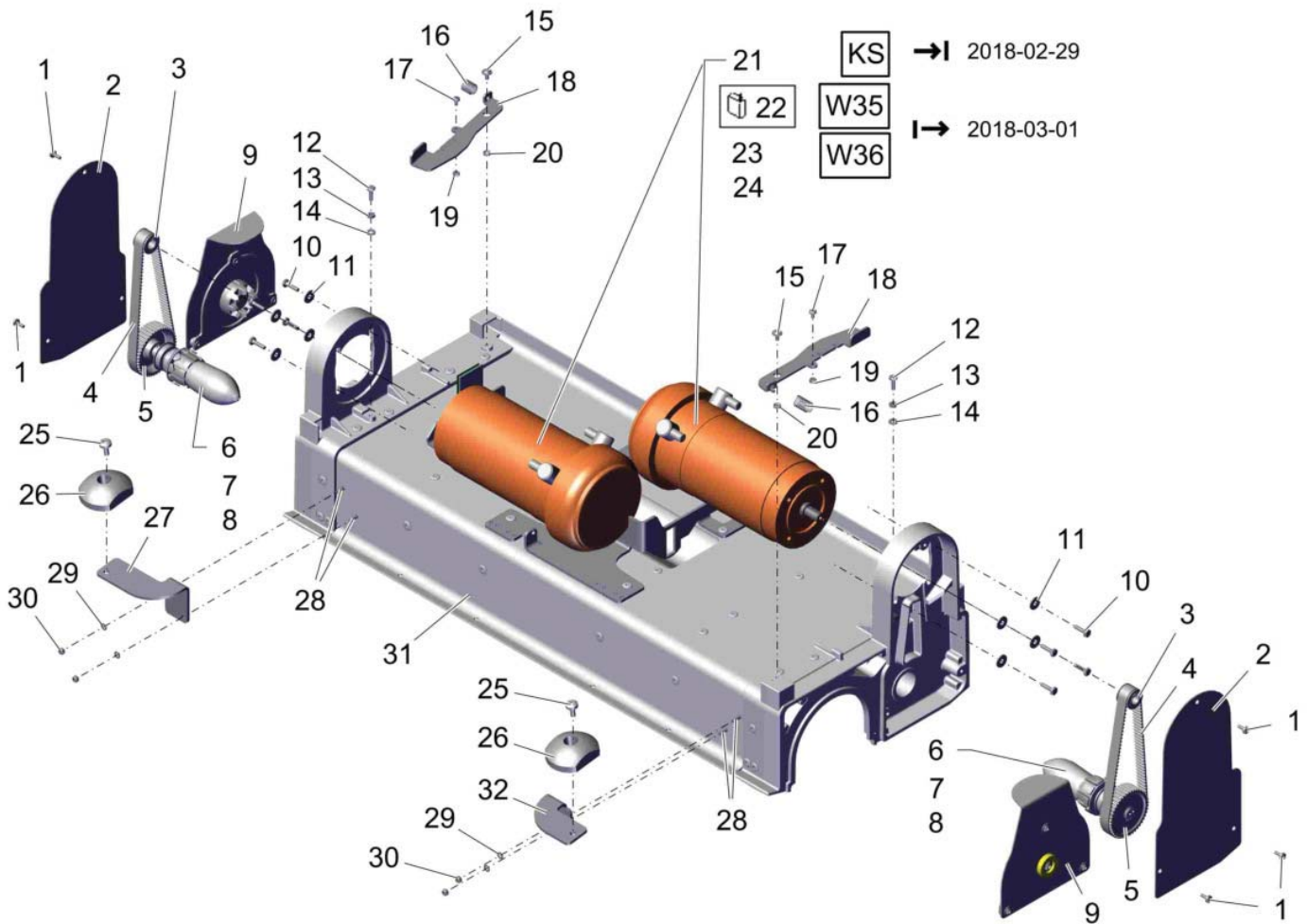
Item	Part number	Description	Qty.	Unit	Remarks
1	00970190	Hex. Nut	13		
2	00874720	Washer	24		
3	01072230	Fillister-head screw	8		
4	01072220	Lock	2		
6	01076250	Plate	2		
7	01072270	Hex. Nut	8		
8	01072260	Fillister-head screw	13		
9	01272960	Sheet metal apron	1		
10	01272950	Broom rail	1		

Cylindrical brush head 850 (97143523)



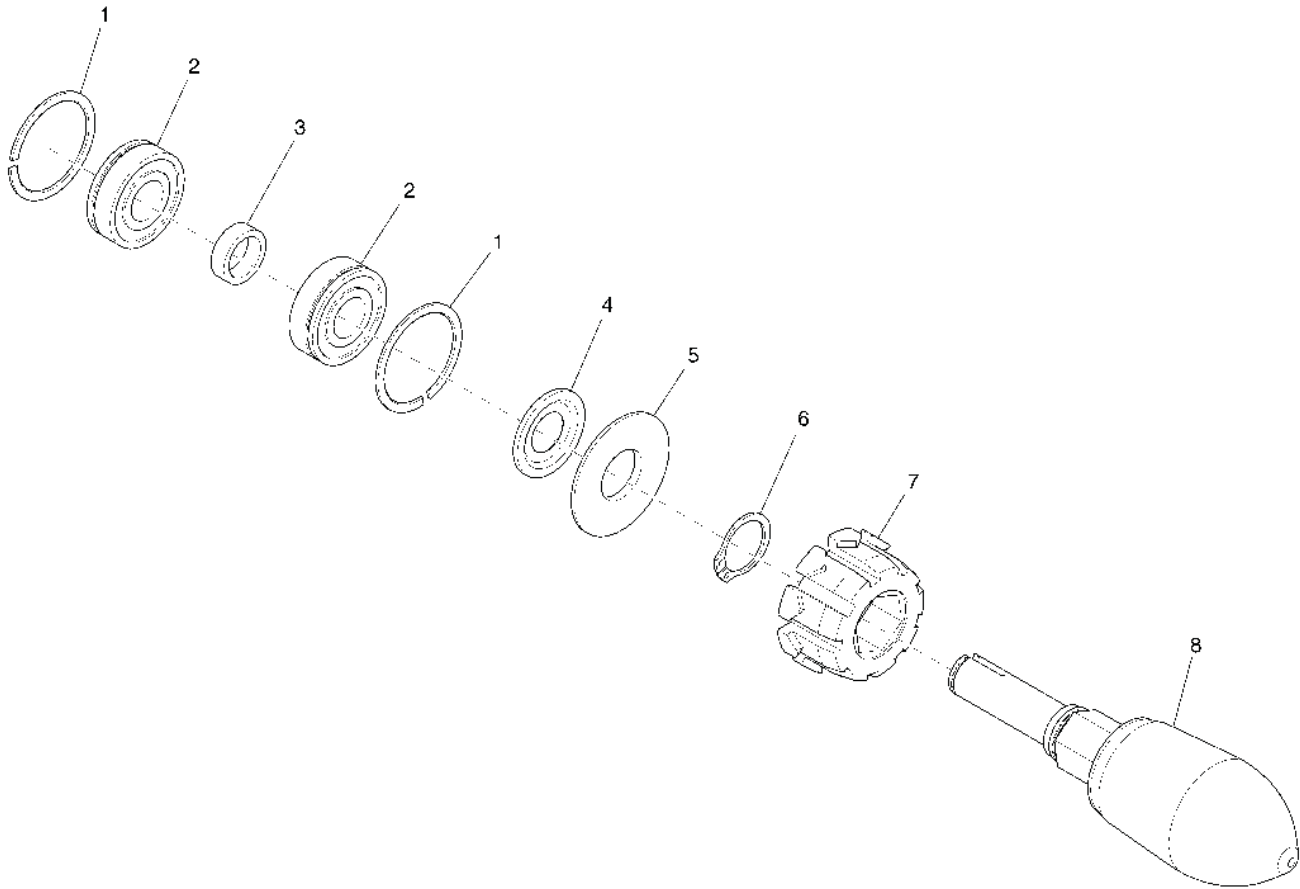
Item	Part number	Description	Qty.	Unit	Remarks
1	97143523-1	Cylindrical brush head 850, part 1	Page	36	
2	97143523-2	Cylindrical brush head 850, part 2	Page	44	
3	99768100	set of cyl. brushes 850 PA6-0,7	1		set: 2 pcs
4	99768200	set of cyl. brushes 850 SIC K500	1		set: 2 pcs
5	99768300	set of cyl. brushes 850 SIC K180	1		set: 2 pcs

Cylindrical brush head 850, partt 1 (97143523-1)



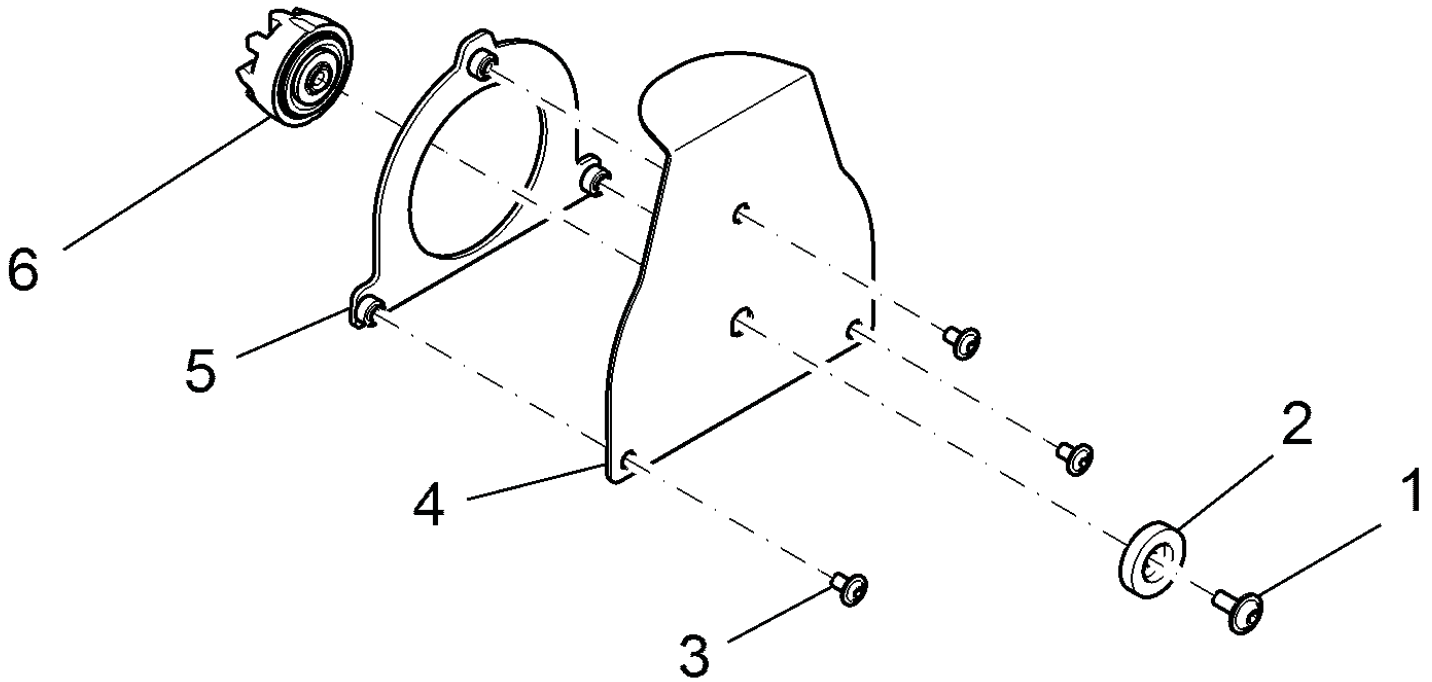
Item	Part number	Description	Qty.	Unit	Remarks
1	00959220	Screw	6		
2	01272860	Sheet metal	2		
3	01072460	Toothed belt pulley	2		
4	01072540	Toothed belt	2		
5	01072570	Toothed belt pulley	2		
6	01072560	Carrier, cpl.	Page	40	
7	01072580	Feather key	2		
8	00022340	Retaining ring	2		
9	01072550	Side cover, cpl.	Page	42	
10	00053020	Hexagon screw	8		
11	00135120	Washer	9		
12	00053010	Hex.bolt	2		
13	00135790	Hex. Nut	2		
14	00053730	Washer	2		
15	01072520	Lens flange screw	2		
16	00550870	Cyl.compression spring	2		
17	00552300	Fillister-head screw	2		
18	01272890	Lever	2		
19	00902250	Hex. Nut	2		
20	01073360	Bushing	2		
21	01072450	Motor	2		
22	00553060	Set (4pc.) carbon brush	1		
23	00022430	Feather key	2		
24	00022440	Retaining ring	2		
25	01272710	Lens head screw	2		
26	01371320	stay	2		
27	---	Spare part on request	1		92003961 sheet metal L.H.
28	01081260	Socket head screw	4		
29	00902270	Washer	4		
30	01017660	Hex. Nut	4		
31	03023580	roll brush head 850, cpl.	1		
32	---	Spare part on request	1		92003656 sheet metal R.H.
KS	03018290	wiring harness brush motor - thermal switch	1		til appr, end of february 2018
W35	03020010	wiring harness W35	1		from appr. begin of march 2018
W36	03020120	wiring harness W36	1		from appr. begin of march 2018

Carrier, cpl. (01072560)



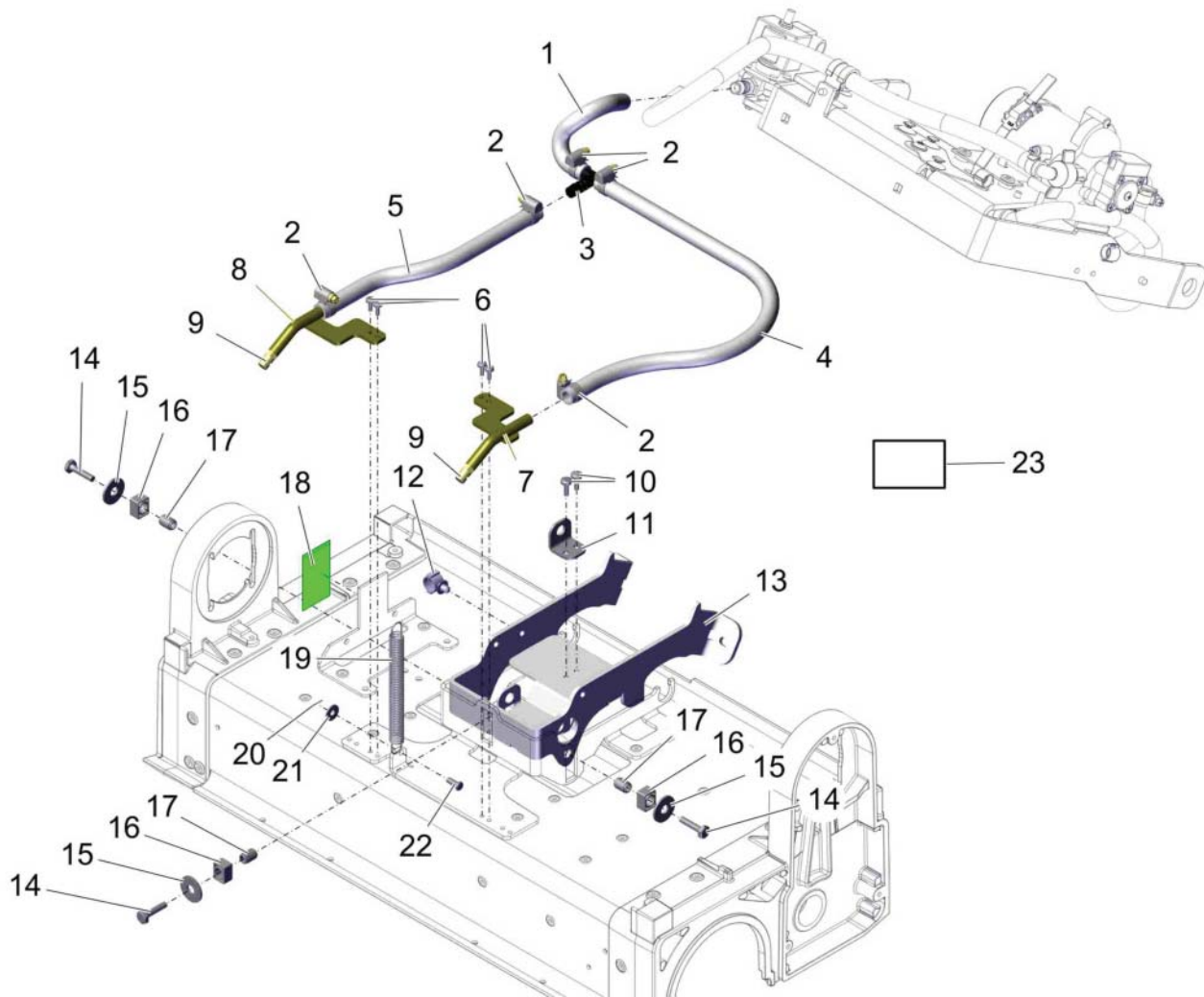
Item	Part number	Description	Qty.	Unit	Remarks
1	01078820	Circlip	2		
2	01076560	Grooved ball bearing	2		
3	01077520	Bushing	1		
4	00124220	Ring	1		
5	01077550	Bushing	1		
6	00054310	Retaining ring	1		
7	01077540	Bushing	1		
8	01077530	Retainer	1		

Side cover, cpl. (01072550)



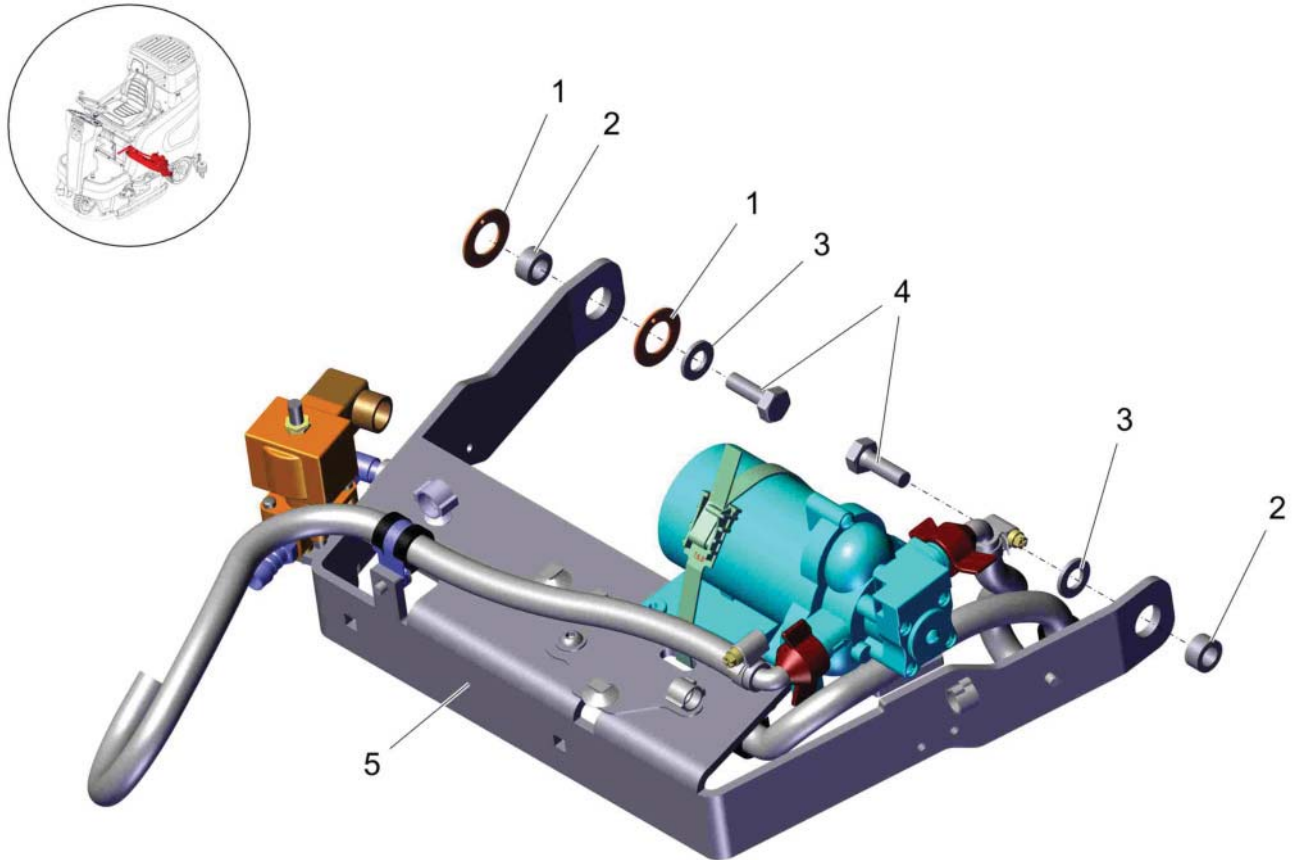
Item	Part number	Description	Qty.	Unit	Remarks
1	01074320	Lens flange screw	1		
2	01074330	Washer	1		
3	01072520	Lens flange screw	3		
4	01078760	Side cover	1		
5	01078770	Centering bend	1		
6	01074340	Counter bearing	1		

Cylindrical brush head 850, part 2 (97143523-2)



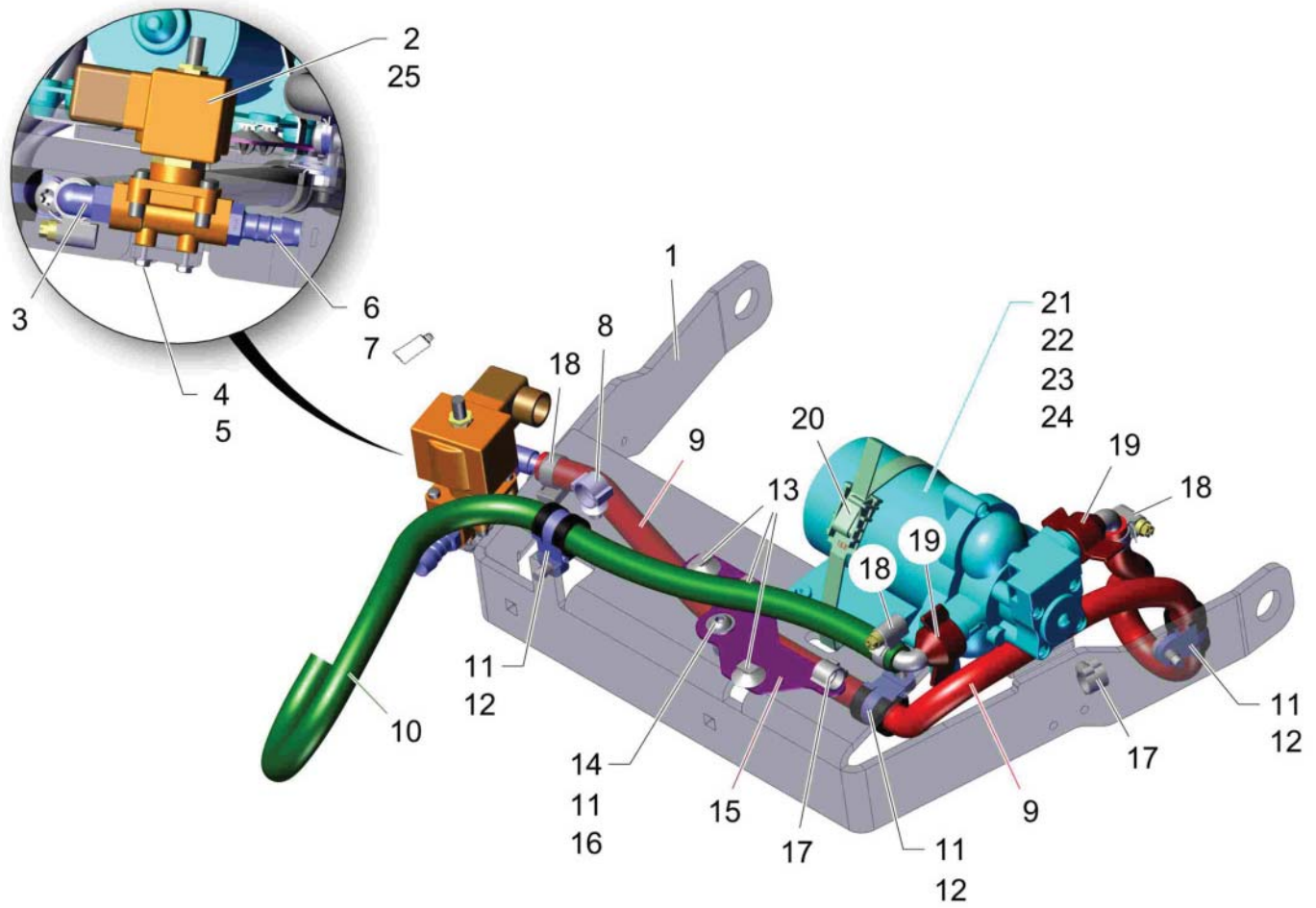
Item	Part number	Description	Qty.	Unit	Remarks
1	00112010	Hose	0,260		
2	01015350	Hose clamp	5		
3	00976160	T-piece	1		
4	00112010	Hose	0,540		
5	00112010	Hose	0,310		
6	00959220	Screw	4		
7	01273120	Pipe L.H.	1		
8	01273130	Pipe R.H.	1		
9	01072640	Jet	2		
10	00539730	Screw	2		
11	01370740	retainer	1		
12	01370710	retainer holder corrugated hose	1		
13	---	Spare part on request	1		96153846 rocker
14	01078690	Hexagon screw	3		
15	01161070	Washer	3		
16	01078700	Slide block	3		
17	01077730	Bushing	3		
18	01371930	decal ABRASION	1		
19	01370050	tension spring	1		
20	00534540	Cotter pin	1		
21	00135120	Washer	1		
22	00736570	Bolt	1		
23	03007630	Sealing band (spool with 12m)	0,500		

Brush head rocker (97143556)



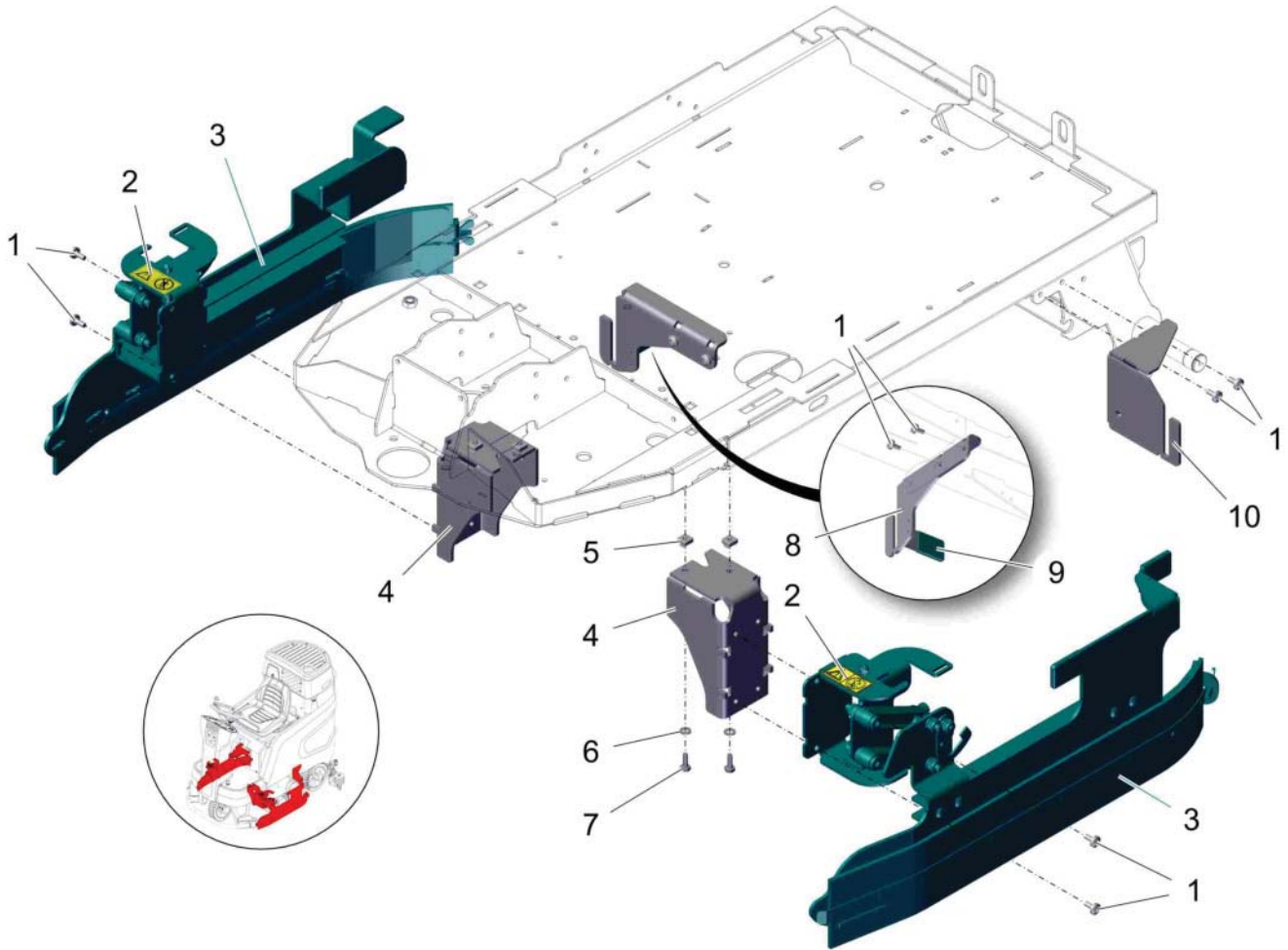
Item	Part number	Description	Qty.	Unit	Remarks
1	01133780	Starting disk	2		
2	01370780	bushing	2		
3	00053770	Washer	2		
4	00053200	Hex.bolt	2		
5	97143549	Rocker	1		

Rocker (97143549)



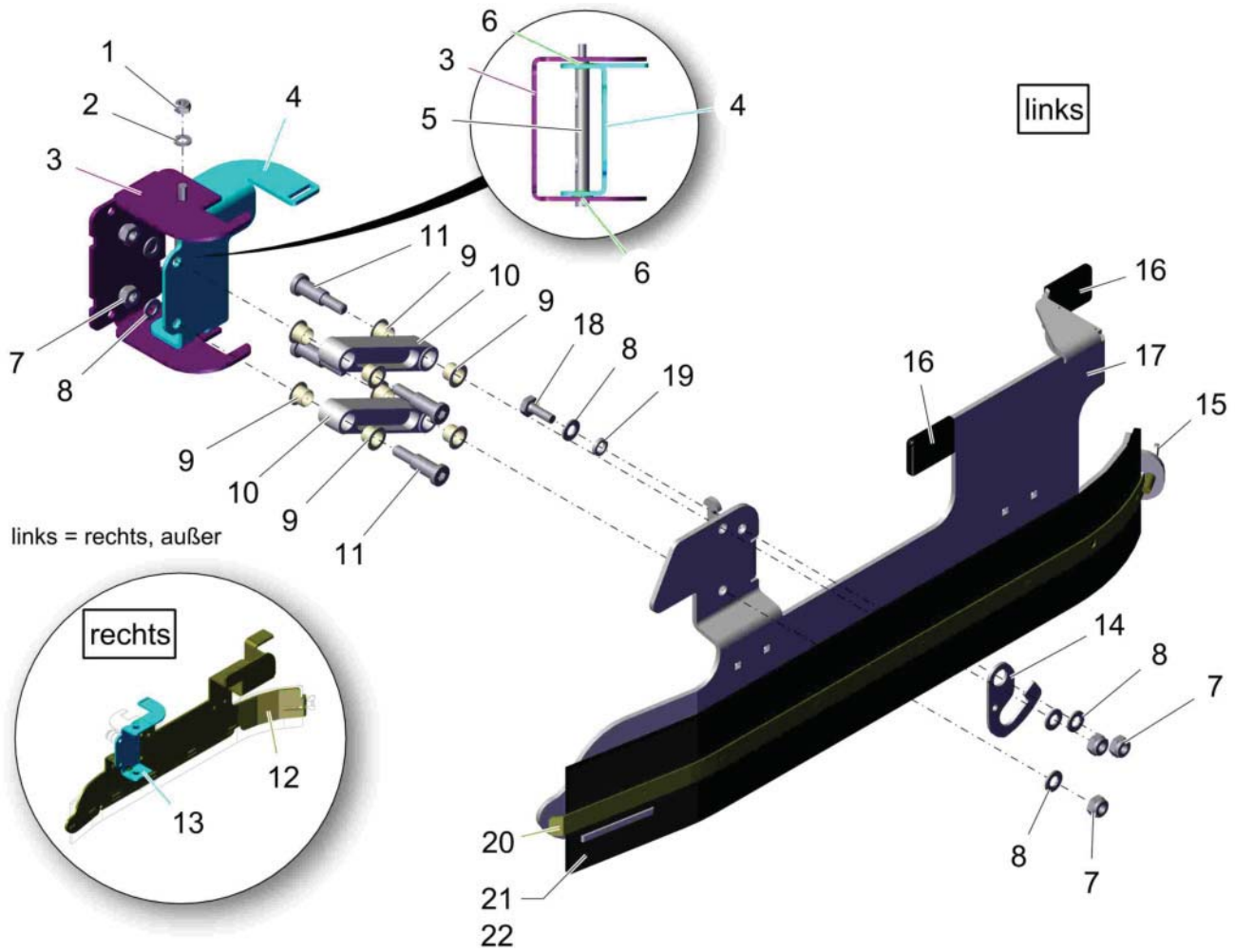
Item	Part number	Description	Qty.	Unit	Remarks
1	01370790	rocker	1		
2	01071000	Electrovalve	1		
3	00020020	Angle socket	1		
4	00053710	Washer	2		
5	00023080	Hex.bolt	2		
6	00976140	Screwed plug	1		
7	03006960	Sealing compound	0,1		
8	01370710	retainer holder corrugated hose	1		
9	00112010	Hose	0,78		
10	00112010	Hose	0,66		
11	00159550	Pipe clamp	4		
12	01272710	Lens head screw	3		
13	01278080	Mounting clip	3		
14	01092910	Lens flange screw	1		
15	01370800	retainer	1		
16	00051510	Hex. Nut	1		
17	01494500	support	2		
18	01015350	Hose clamp	3		
19	00154140	Screwed angle fitting	2		
20	01073340	Cable tie	1		
21	00543750	Pump	1		
22	00903580	Gasket	2		
23	01135470	pin housing	1		
24	01063790	Pin contact	2		
25	01371990	valve connector	1		

Wiper cylindrical brush 850 (97143358)



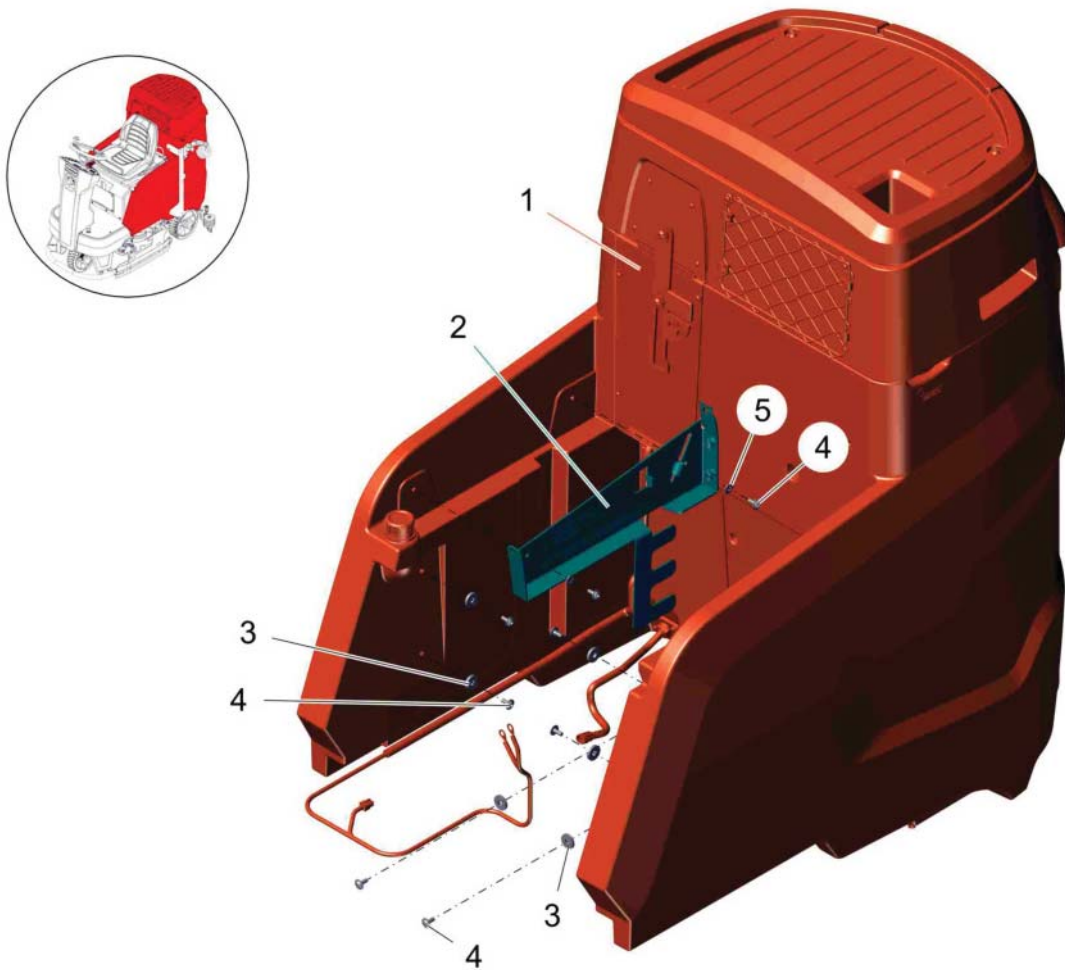
Item	Part number	Description	Qty.	Unit	Remarks
1	01272710	Lens head screw	8		
2	01272760	Decal KEEP OFF	1		
3	97143283-97143 291	Wiper RH & LH	Page	52	
4	01374830	retainer	2		
5	01154830	Cage nut	4		
6	00740310	Washer	4		
7	00053090	Hexagon screw	4		
8	01372470	squeegee guide R.H.	1		
9	01074240	Cap	1		
10	01374840	angle L.H.	1		

Wiper RH & LH (97143283-97143291)



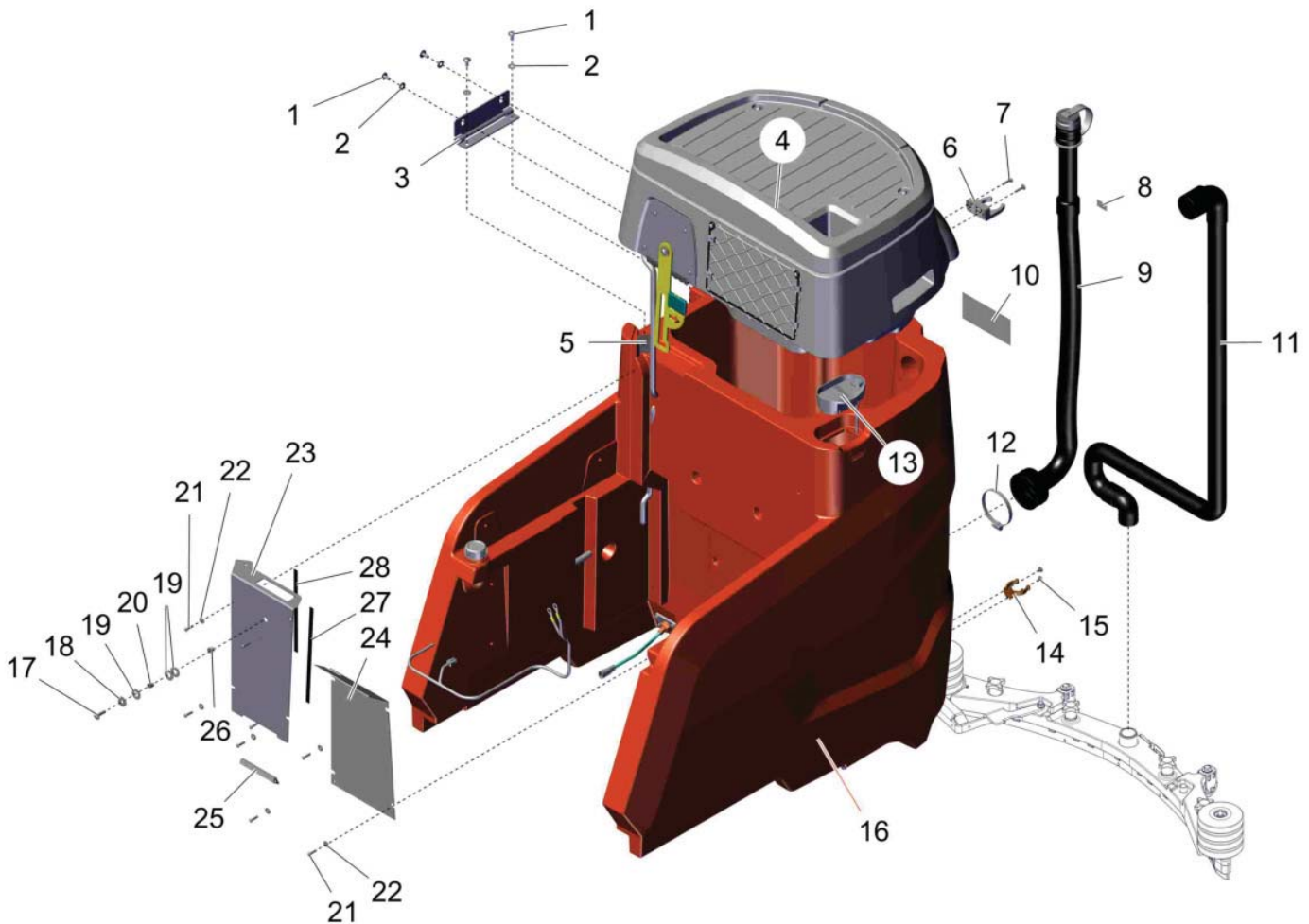
Item	Part number	Description	Qty.	Unit	Remarks
1	00051510	Hex. Nut	2		
2	00053750	Washer	4		
3	01374940	retainer	2		
4	01374820	swivel arm	1		
5	01374860	axis of rotation	2		
6	01130080	Slide bearing bush	4		
7	00051500	Hex. Nut	10		
8	00053760	Washer	12		
9	01073860	Slide bearing bush	16		
10	01073870	Lever	4		
11	01374100	fitting screw	8		
12	01372560	squeegee R.H.	1		
13	01372570	swivel arm	1		
14	01271200	Locking hook	2		
15	00153350	Wing nut	2		
16	01074240	Cap	4		
17	01372640	squeegee L.H.	1		
18	00053310	Hexagon screw	2		
19	01074210	Bushing	2		
20	01374950	tension band	2		
21	01074250	Squeegee strip	2		
22	01077040	squeegee strip	1		variant: highly wear resistant!

Water tank standard red (97152391)



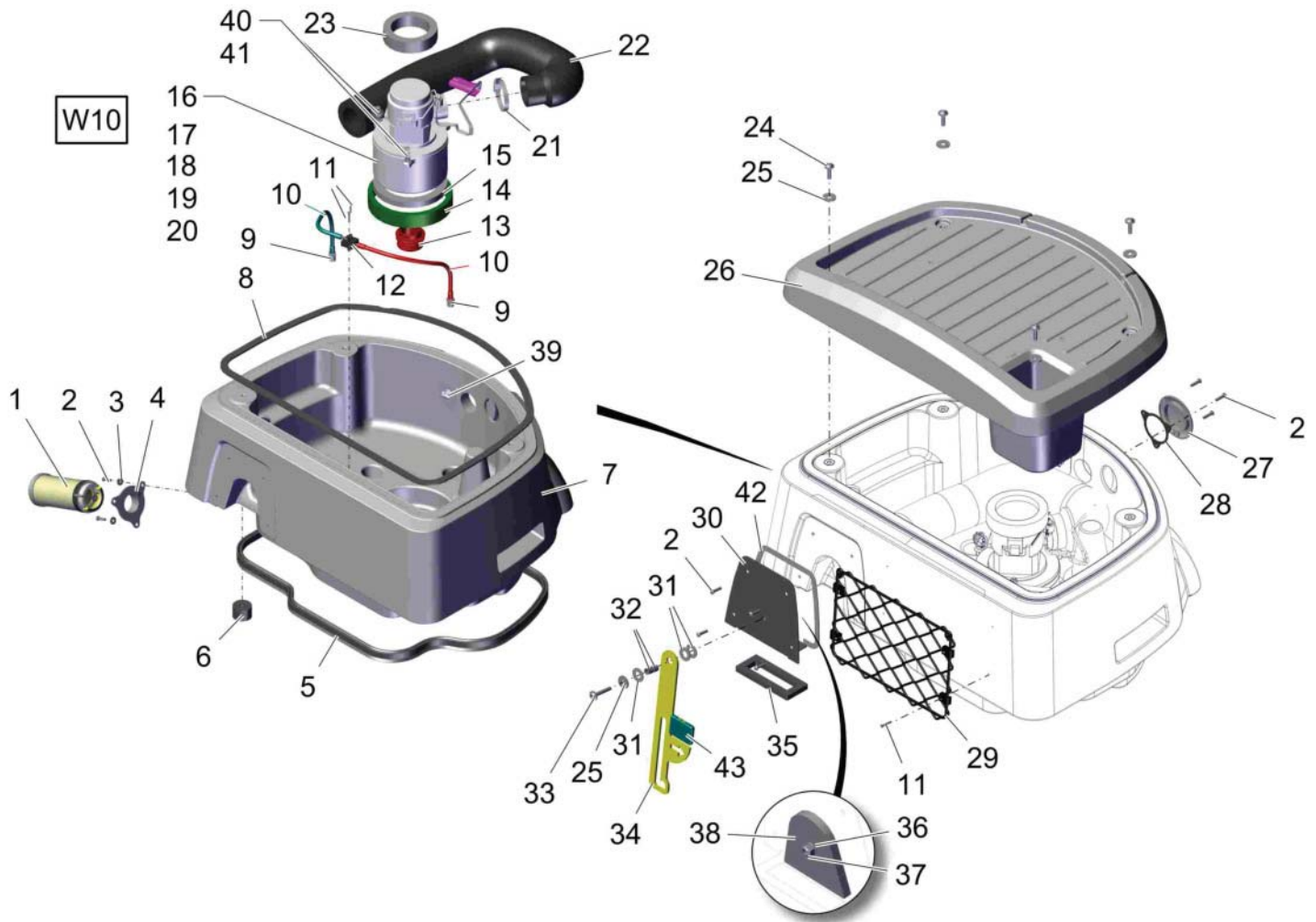
Item	Part number	Description	Qty.	Unit	Remarks
1	97152375	Water tank red	1		
2	97146914	Hinge sheet metal	1		
3	00047990	Disk wheel	6		
4	01006820	Lens flange screw	8		
5	01278230	Detent edged washer	2		

Water tank red (97152375)



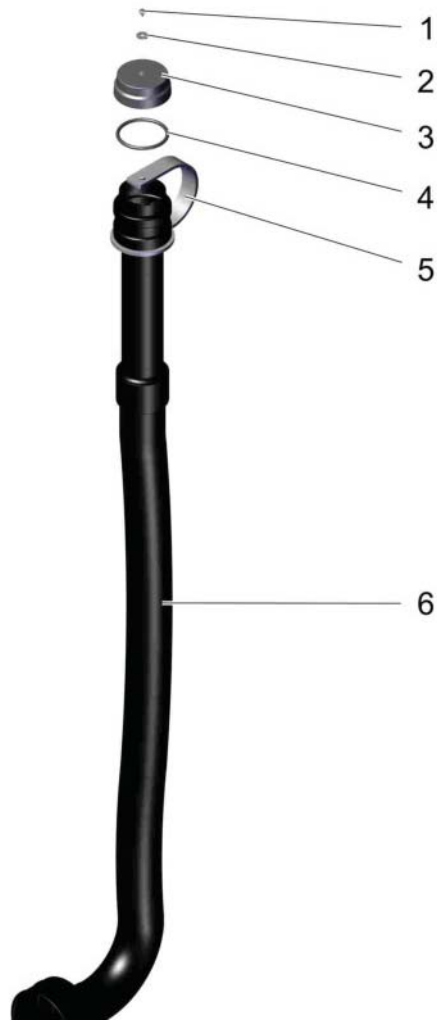
Item	Part number	Description	Qty.	Unit	Remarks
1	01074320	Lens flange screw	4		
2	01278230	Detent edged washer	4		
3	01278390	Hinge	1		
4	97152383	Cover	1		
5	01370820	plug	1		
6	01275840	Hose support	1		
7	01082530	Lens flange screw	2		
8	01170060	Decal FOUL WATER	1		
9	01370140	Hose	1		
10	03008970	Decal POWERBOSS	1		
11	01370150	suction hose	1		
12	00736200	Hose clamp	1		
13	01173540	Fresh water cap	1		
14	01078120	Hose support	1		
15	01072520	Lens flange screw	2		
16	01370530	Water tank	1		
17	01164420	Lens flange screw	1		
18	00902280	Washer	1		
19	01102770	Approach disk	3		
20	01278330	Spacer sleeve	1		
21	01078160	Screw	8		
22	00058000	Washer	8		
23	01370830	cover plate	1		
24	01370810	covering lower	1		
25	01000300	edge protection 1.0-2.0	0,110		
26	01130110	Nut	1		
27	00420290	Gasket white	0,260		
28	00420290	Gasket white	0,220		

Cover (97152383)



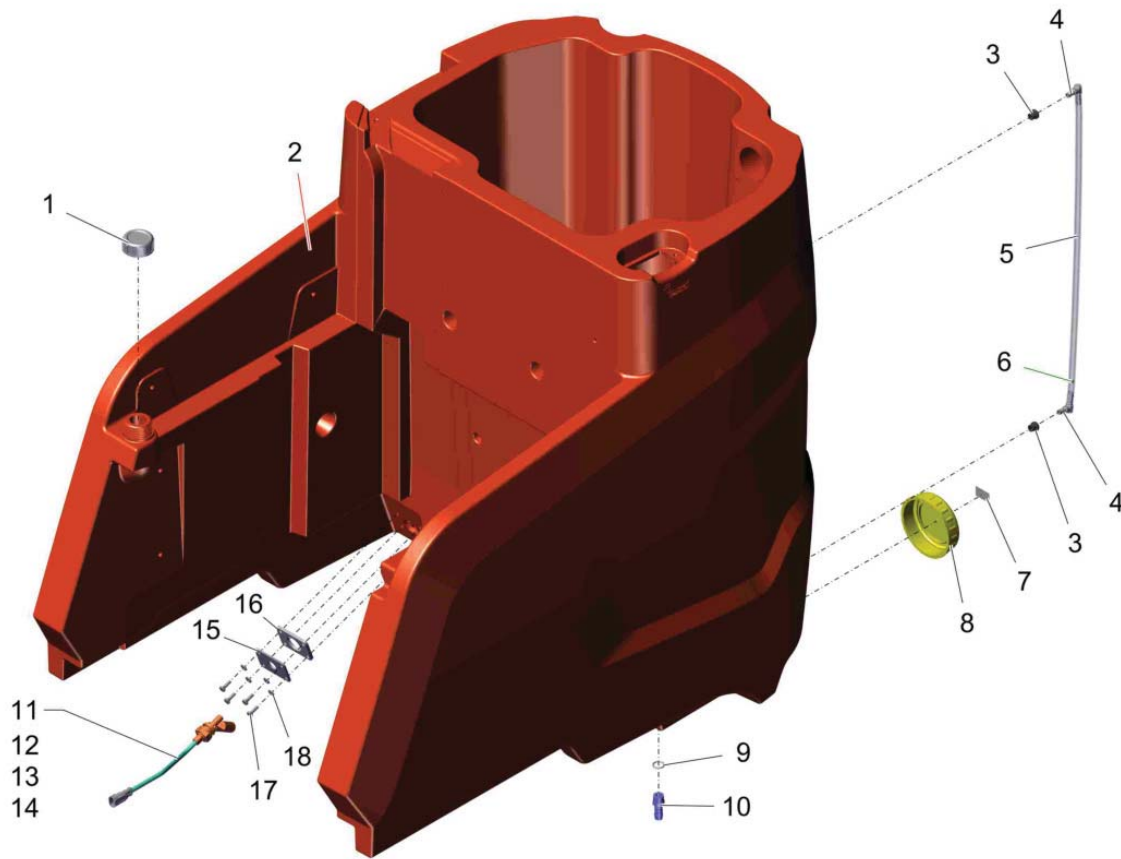
Item	Part number	Description	Qty.	Unit	Remarks
1	01278990	Filter cage	1		
2	01078160	Screw	10		
3	00058000	Washer	3		
4	01278140	Connection	1		
5	01071770	Sealing profile	1,820		
6	01278350	Plug	1		
7	01370930	cover	1		
8	00881980	Sealing tape	1,800		
9	01161220	Screwed plug	2		
10	00749620	Hose	0,270		
11	00559430	Tapping screw	6		
12	01370520	differential pressure switch	1		
13	01370910	sealing socket	1		
14	01370890	sealing ring	1		
15	01370880	sealing ring	1		
16	01278200	Suction motor	1		
17	00048840	Carbon brush	4		
18	00904050	Toroidal core	1		
19	01092510	Connector housing	1		
20	01092500	Flat connector	2		
21	00732130	Hose clamp	1		
22	01370920	hose	1		
23	01370870	sealing ring	1		
24	01164420	Lens flange screw	4		
25	00902280	Washer	5		
26	01370840	cover	1		
27	---	Spare part on request	1		90535972 cap
28	01072000	Seal	1		
29	01172540	Luggage rack	1		
30	01370850	screen	1		
31	01102770	Approach disk	3		
32	01278330	Spacer sleeve	2		
33	01134740	Filister head flange screw	1		
34	01370860	lifting device	1		
35	01278070	Gasket	1		
36	00101550	Washer	1		
37	00051510	Hex. Nut	1		
38	01370900	insulation	1		
39	01493500	Retainer	1		
40	01370250	retainer	2		
41	01370240	mounting feet	2		
42	00865630	Sealing tape	0,490		
43	01074240	Cap	1		
W10	03019190	wiring harness W10	1		

Hose (01370140)



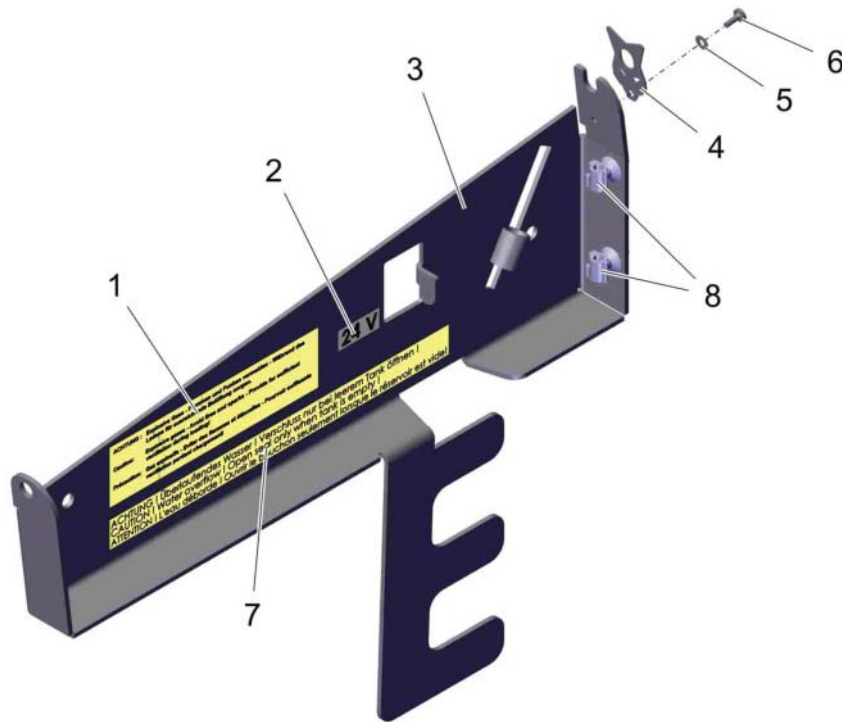
Item	Part number	Description	Qty.	Unit	Remarks
1	01276390	Tapping screw	1		
2	00557150	Washer	1		
3	01276370	Cover	1		
4	01276380	O-ring	1		
5	01276360	Retaining strap	1		
6	-	Not supplied alone!	1		If needed order hose cpl. 01370140, please!

Water tank (01370530)



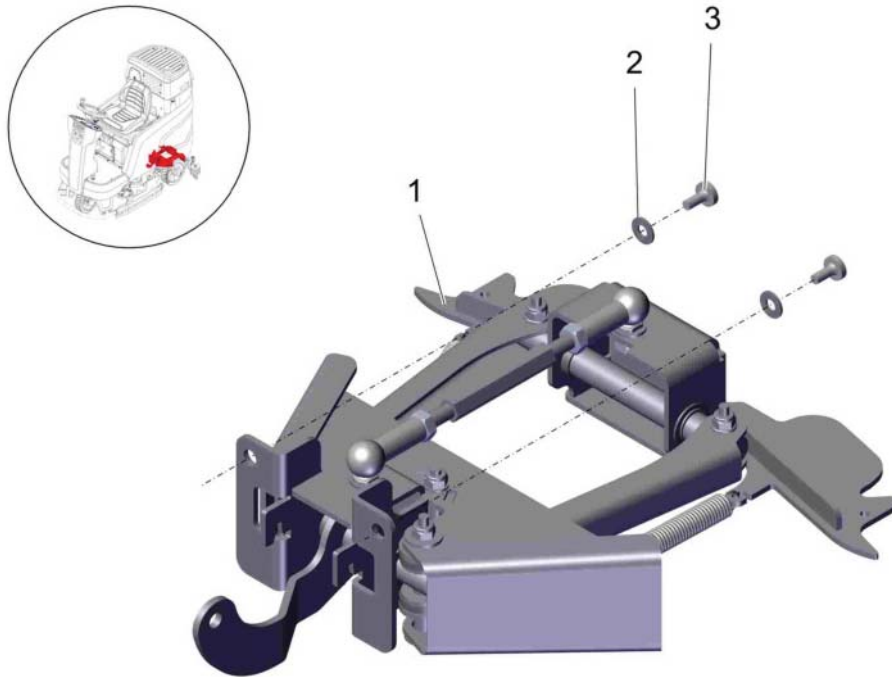
Item	Part number	Description	Qty.	Unit	Remarks
1	01072130	Cover	1		
2	-	Not supplied alone!			Order water tank complete, please (no.: 01370530)!
3	00864480	Cable sleeve	2		
4	01278340	Angle socket	2		
5	01278240	Hose	0,590		
6	01072170	Ball	1		
7	01170150	Decal SOLUTION TANK	1		
8	01278250	Cover	1		
9	00057720	O-ring oil resistant	1		
10	00976140	Screwed plug	1		
11	00861620	Float switch	1		
12	01016120	Seal	2		
13	01063790	Pin contact	2		
14	01135470	pin housing	1		
15	01370940	metal sheet	1		
16	01370950	gasket	1		
17	01071890	Hex.bolt	4		
18	00102150	Washer	4		

Hinge (97146914)



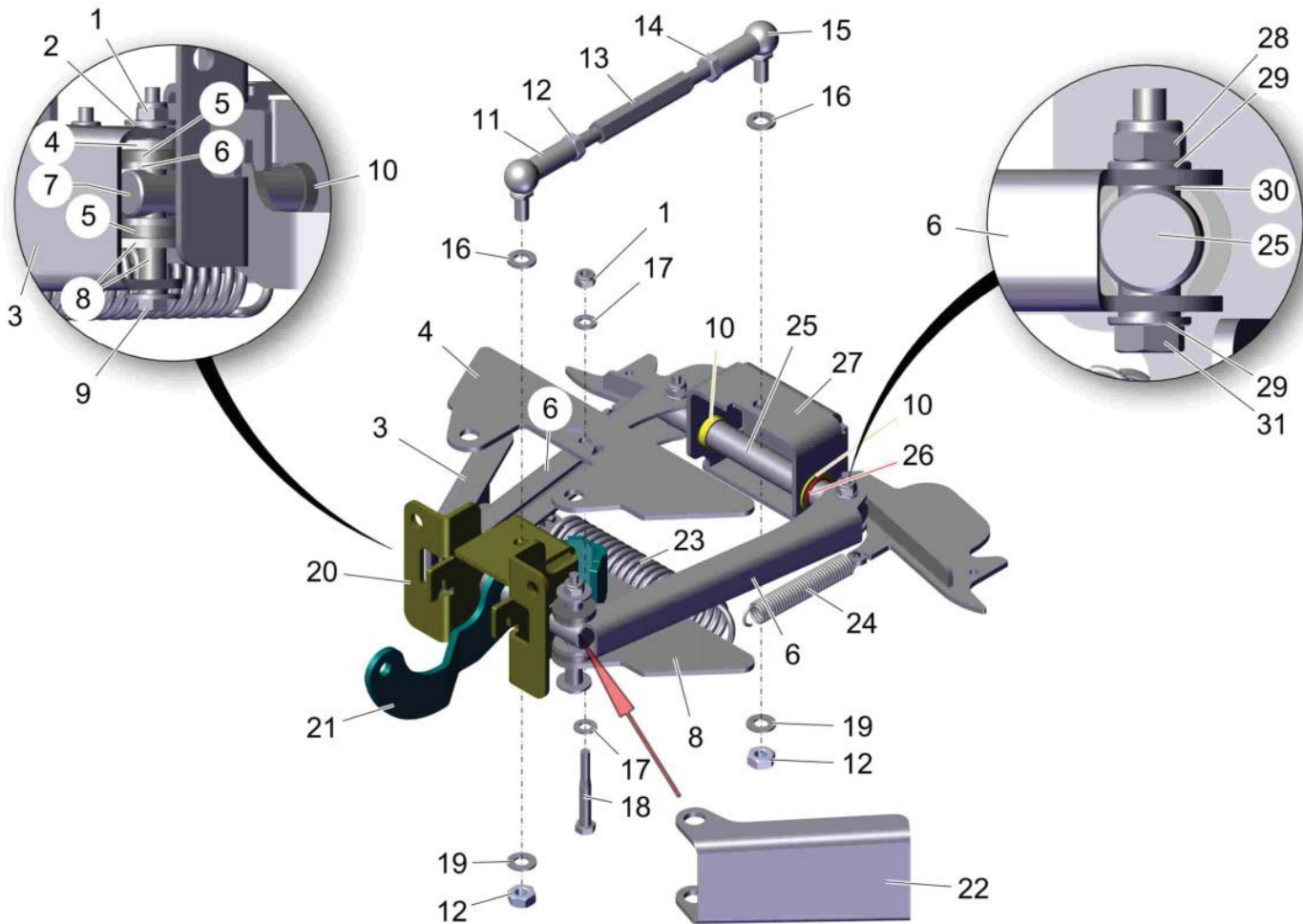
Item	Part number	Description	Qty.	Unit	Remarks
1	01174740	Decal explosive gazes	1		
2	00871160	Decal 24V	1		
3	01370960	hinge plate	1		
4	01278360	Latch	1		
5	00874720	Washer	1		
6	01112160	Screw	1		
7	01175810	Decal CAUTION	1		
8	01494500	support	2		

Squeegee linkage group (97142921)



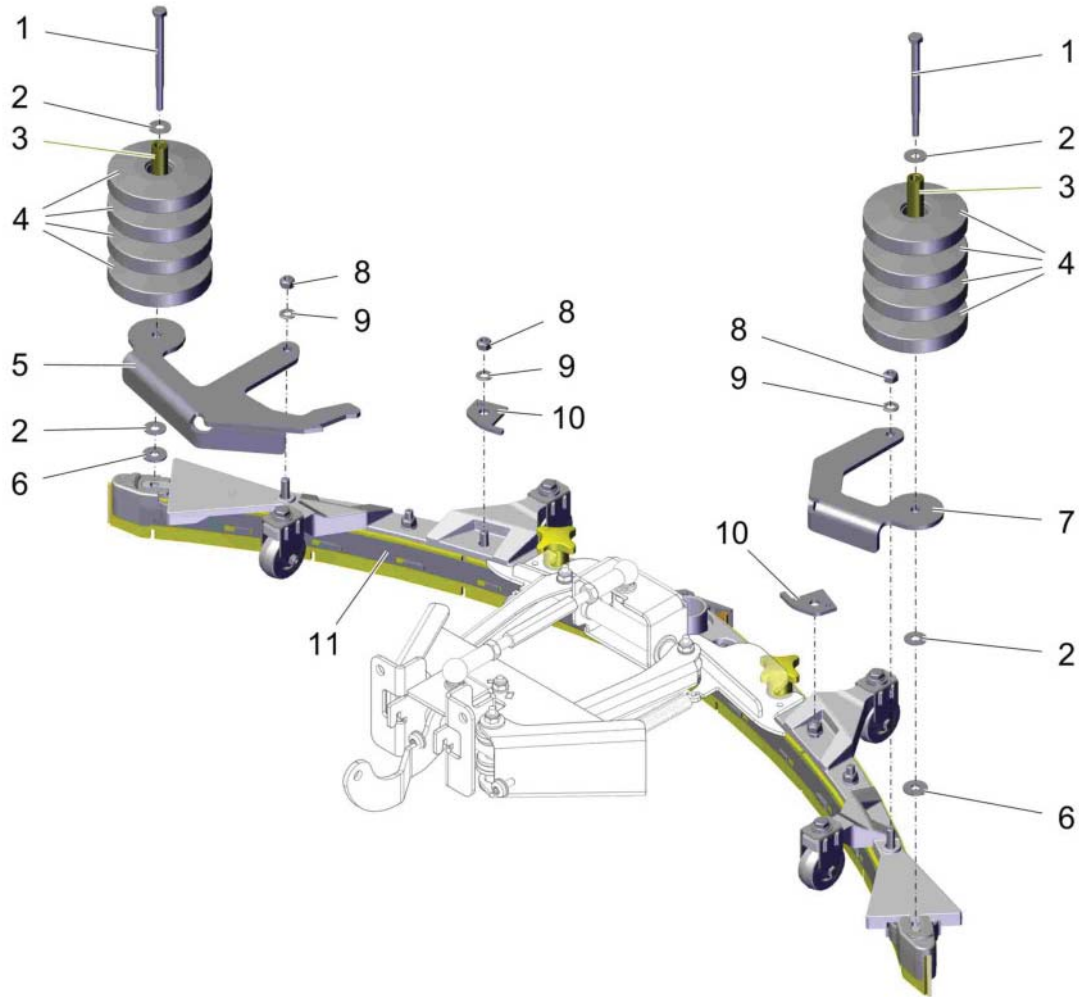
Item	Part number	Description	Qty.	Unit	Remarks
1	01375210	suction unit connection	1		
2	00740090	Detent edged washer	2		
3	01272710	Lens head screw	2		

Suction unit connection (01375210)



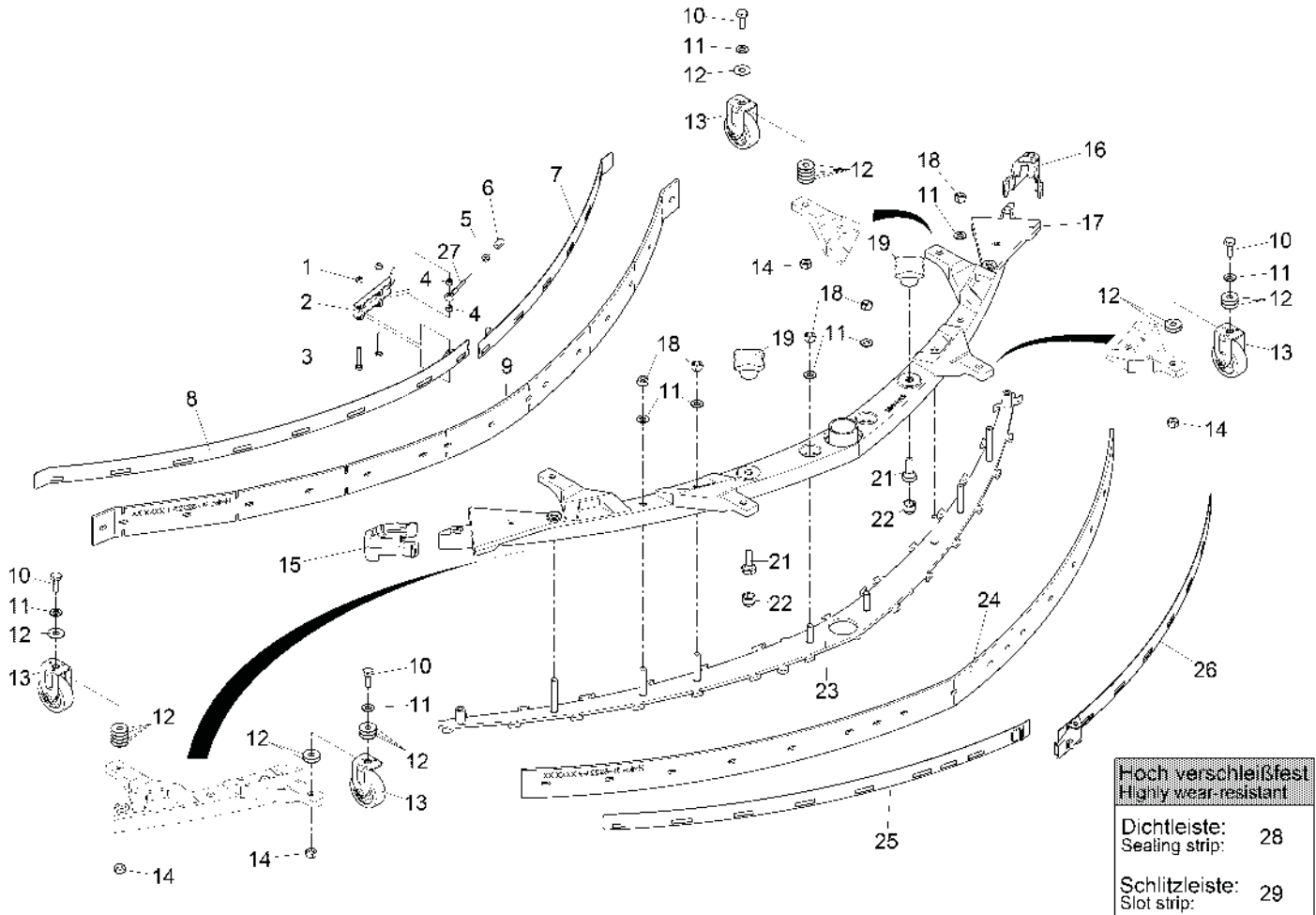
Item	Part number	Description	Qty.	Unit	Remarks
1	00051510	Hex. Nut	3		
2	00042900	Washer	4		
3	01370370	centered sheet metal R.H.	1		
4	01370430	stop	1		
5	01370410	starting disk	4		
6	01370300	trapeze link	2		
7	01370310	shaft	1		
8	01370640	stop	1		
9	00746390	Hex.bolt	2		
10	01130470	Slide bearing bush	4		
11	01279810	hinged joint	1		
12	00053360	Hex. Nut	3		
13	01370360	threaded rod	1		
14	00862550	Hex. Nut	1		
15	01279750	hinged joint	1		
16	00053760	Washer	2		
17	00053750	Washer	2		
18	00074260	Hex.bolt	1		
19	00870090	Detent edged washer	2		
20	01370380	retainer	1		
21	01370390	lever	1		
22	01370350	centered sheet metal L.H.	1		
23	01277950	Tension spring	1		
24	01130130	Pull spring	2		
25	01370400	shaft	1		
26	01370230	circlip	2		
27	01370480	base plate	1		
28	00101540	Hex. Nut	2		
29	00101550	Washer	4		
30	01370270	spacer sleeve	2		
31	01370170	hexagon Screw	2		

Suction unit 1100mm (01375250)



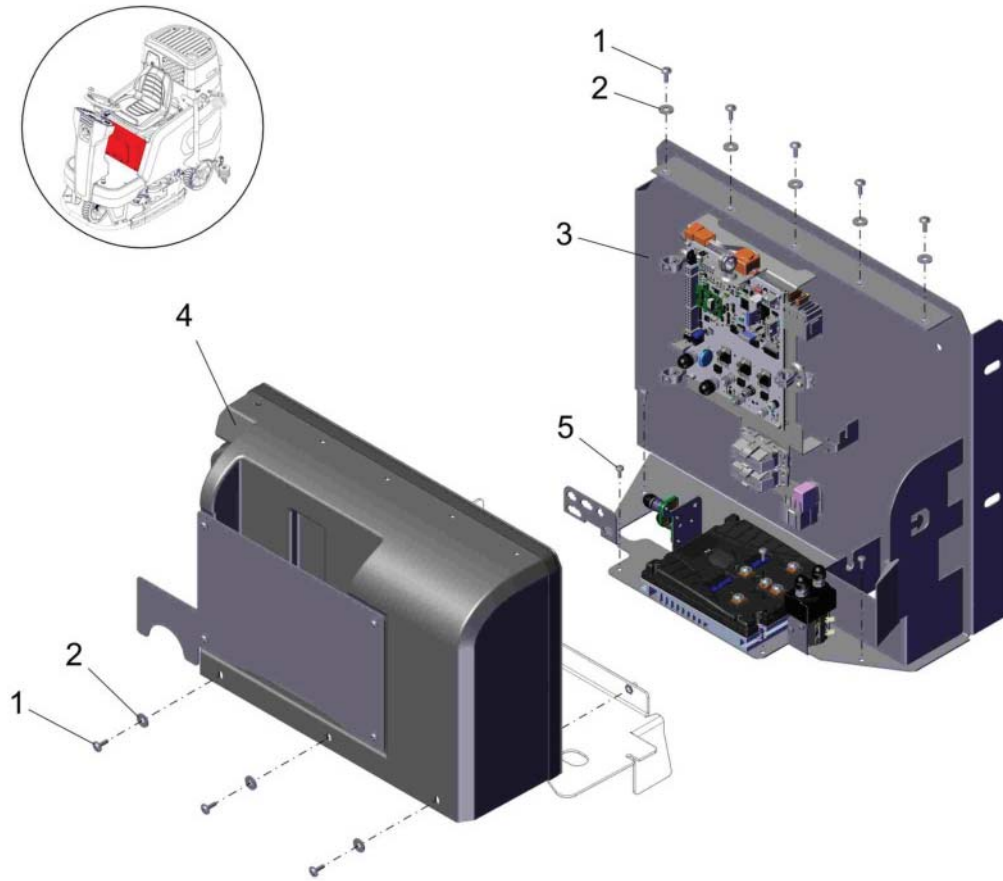
Item	Part number	Description	Qty.	Unit	Remarks
1	01176750	Hexagon screw	2		
2	01079080	Spacer	4		
3	01177260	Pipe	2		
4	01171790	Deflector roller	8		
5	01272830	bracket 110 R.H.	1		
6	00902280	Washer	2		
7	01272820	Bracket 110 L.H.	1		
8	00101540	Hex. Nut	3		
9	00101550	Washer	2		
10	01375290	plate	2		
11	97099287	Squeegee 1100 mm	Page	74	

Squeegee 1100mm (97099287)



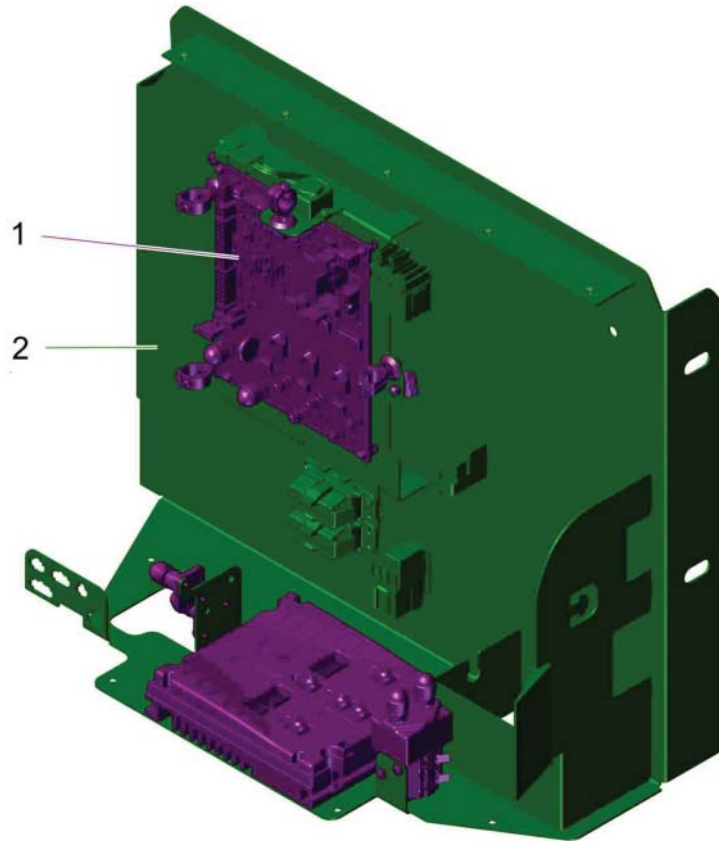
Item	Part number	Description	Qty.	Unit	Remarks
1	01017660	Hex. Nut	2		
2	01077580	Lever	1		
3	01079890	Hexagon screw	2		
4	01077590	Bushing	2		
5	00902250	Hex. Nut	1		
6	01078090	Pressure piece	1		
7	01079870	Front tension band	1		
8	01079880	Front tension band	1		
9	01079790	Slot strip	1		
10	01162510	Hexagon screw	4		
11	00101550	Washer	10		
12	01079080	Spacer	22		
13	01077810	Fixed castor	4		
14	00971400	Hex. Nut	4		
15	01178320	Protection cap L.H.	1		
16	01178310	Protection cap R.H.	1		
17	01275660	Suction unit body	1		
18	00101540	Hex. Nut	5		
19	01274760	Star handle yellow incl. washer	2		
21	01019850	Hexagon screw	2		
22	00131610	Lens cap	2		
23	01275640	Base plate	1		
24	01079780	Sealing strip	1		
25	01079920	Rear tension band	1		
26	01079910	Rear tension band	1		
27	01077500	Eye bolt	1		
28	01179200	Sealing strip	1		
29	01179190	Slot strip	1		

Electric system without onboard charger (97158554)



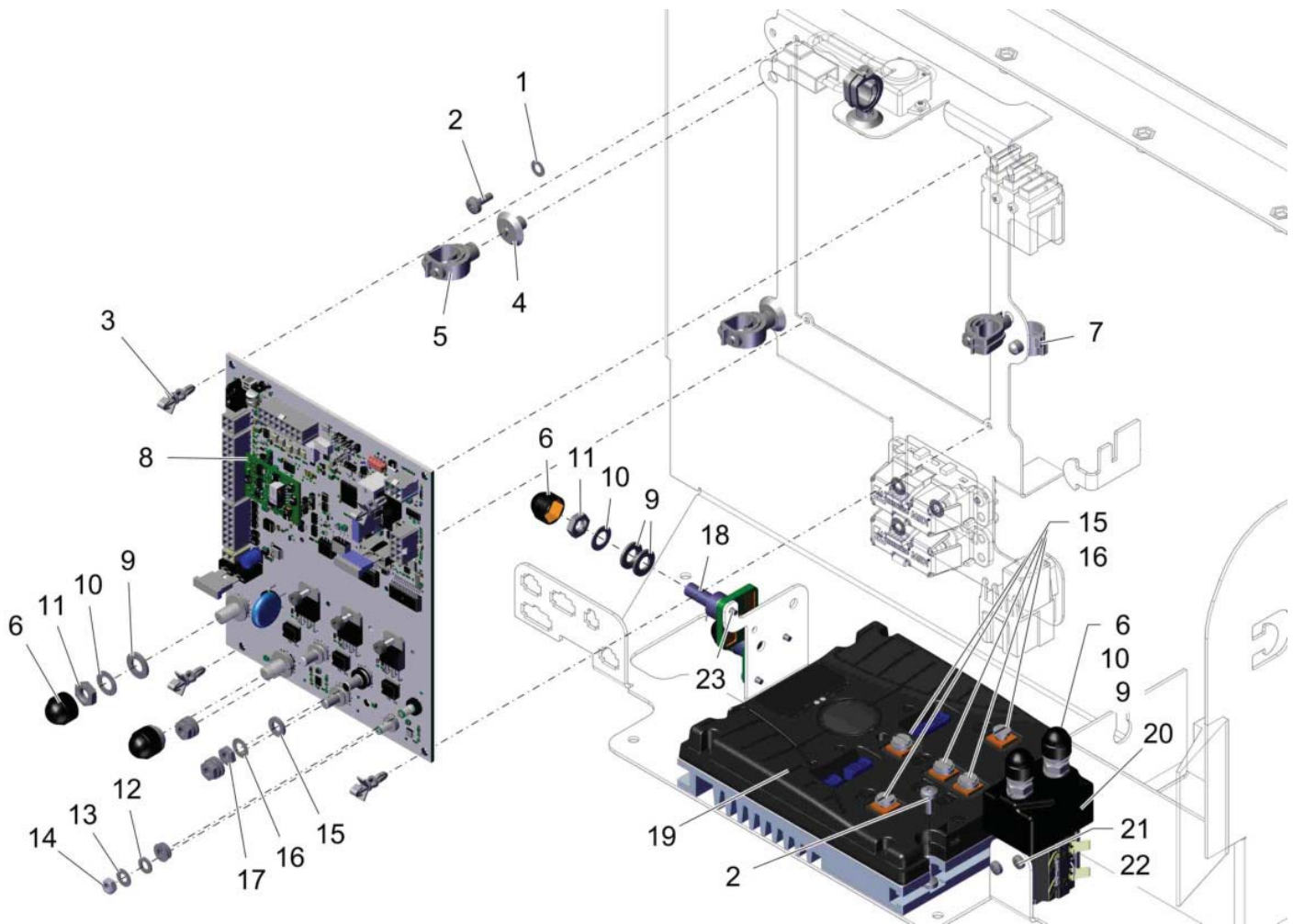
Item	Part number	Description	Qty.	Unit	Remarks
1	01017640	Lens flange screw	8		
2	00854210	Washer	8		
3	97158547	Electric system without charger	1		
4	97146187	Cover	1		
5	00959220	Screw	4		

Electric system without charger (97158547)



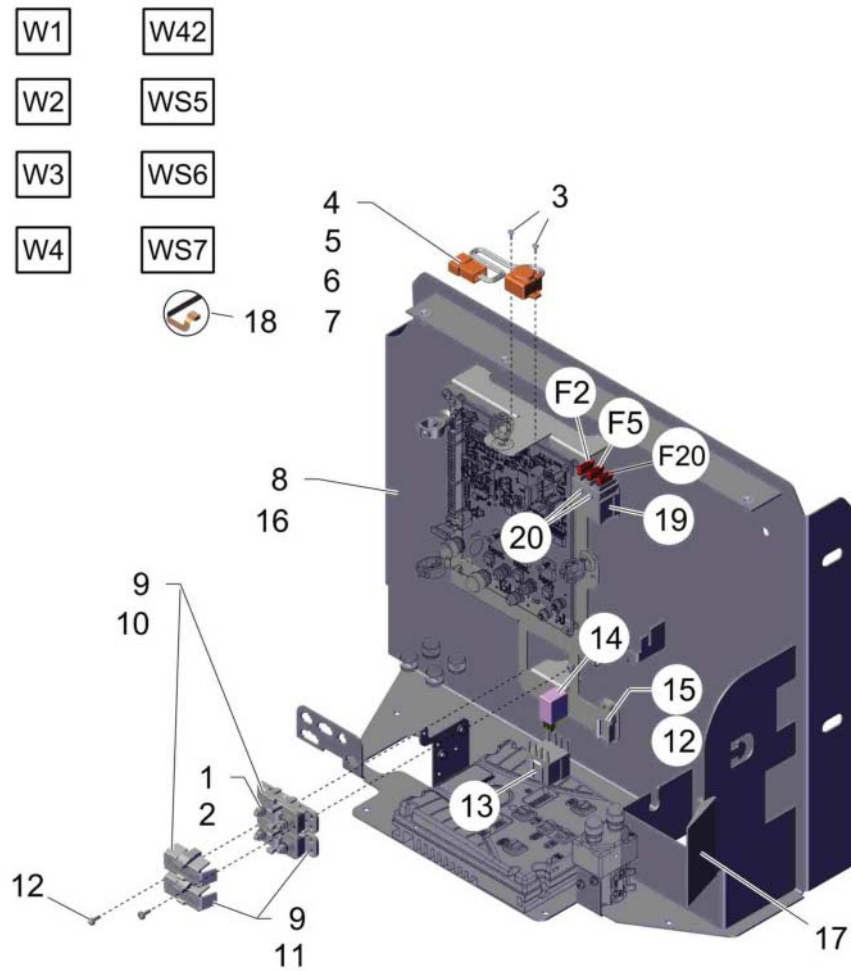
Item	Part number	Description	Qty.	Unit	Remarks
1	97158547-1	Electric system without charger, part 1	1		
2	97158547-2	Electric system without charger, part 2	1		

Electric system without charger, part 1 (97158547-1)



Item	Part number	Description	Qty.	Unit	Remarks
1	00857150	Serrated lock washer	1		
2	00959220	Screw	5		
3	00745840	Print plate holder	4		
4	01370240	mounting feet	4		
5	01370250	retainer	4		
6	00131610	Lens cap	6		
7	01494500	support	1		
8	01370440	controller	1		
9	00053750	Washer	10		
10	00053850	Spring washer	6		
11	00046500	Hex. Nut	4		
12	00053720	Washer	6		
13	00053830	Spring washer	2		
14	00053320	Hex. Nut	2		
15	00053730	Washer	11		
16	00053840	Spring washer	8		
17	00135790	Hex. Nut	3		
18	00744670	Single clamp	2		
19	01371100	drive controller AC 24V 120A	1		
20	01277790	Solenoid switch	1		
21	00044930	Fillister-head screw	2		
22	00053710	Washer	2		
23	01112160	Screw	2		

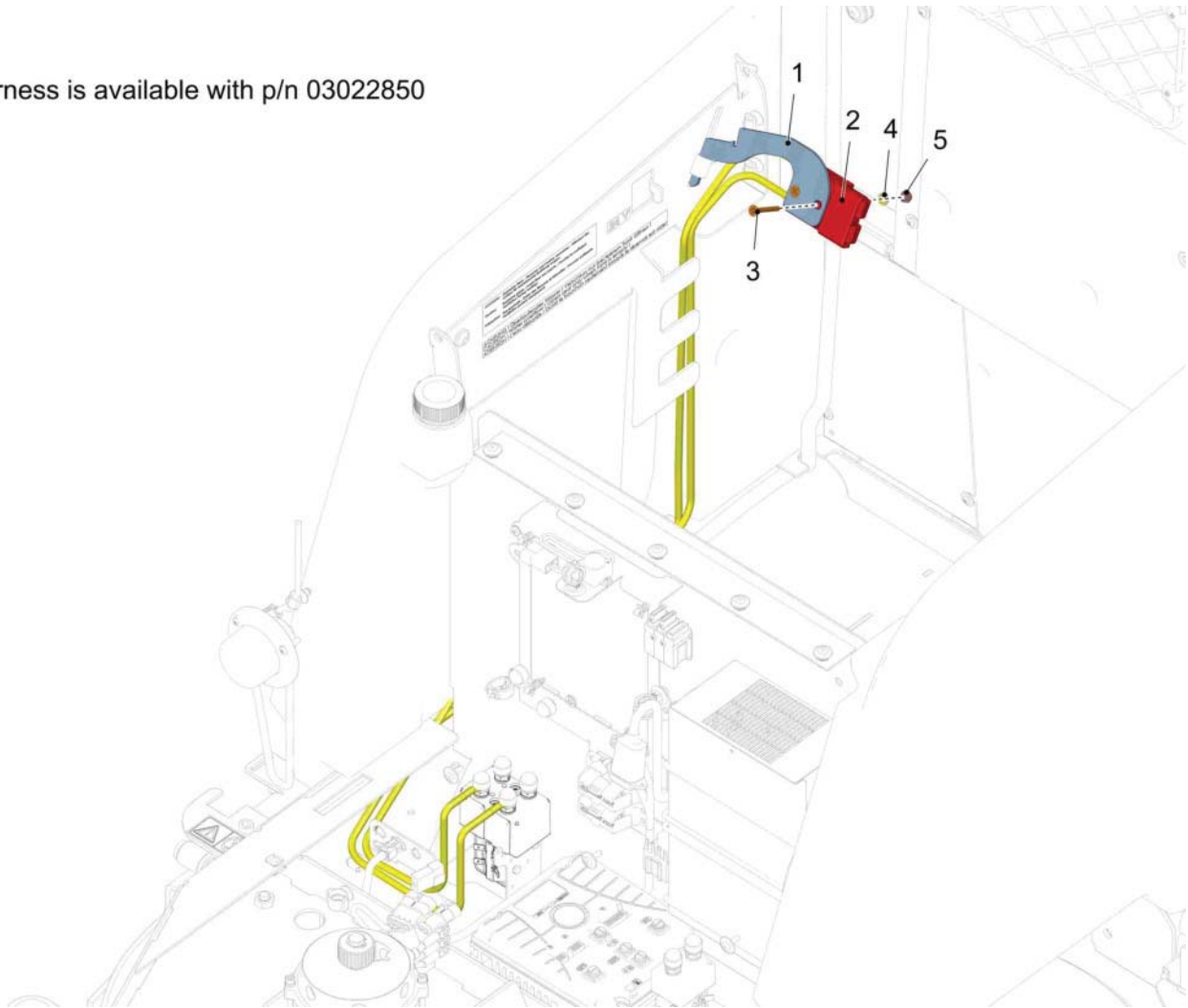
Electric system without charger, part 2 (97158547-2)



Item	Part number	Description	Qty.	Unit	Remarks
1	00053720	Washer	4		
2	00053830	Spring washer	4		
3	01110570	Screw	2		
4	00745850	Signal transmitter	1		
5	00903170	Flat connector	2		
6	00903180	Male-housing	1		
7	00121010	Cable tie	1		
8	01370490	electronic plate	1		
9	01473870	Fuse holder	2		
10	01370330	fuse link	1		power
11	01370260	fuse link	1		drive control
12	01112160	Screw	5		
13	01271830	Relay base	1		
14	01271000	Relay	1		
15	01271780	Retainer	1		
16	01271300	Nut	5		
17	00461460	Edge protection	0,090		
18	01278090	Ribbon cable	1		
19	00733650	Fuse holder	3		
20	01110770	Screw	2		
F2	00509550	Fuse	1		control voltage
F5	00906120	Fuse	1		horn
F20	00906120	Fuse	1		Fleet-Recorder
W1	03022850	wiring harness W1	1		
W2	03019200	wiring harness W2	1		
W3	03019180	wiring harness W3	1		
W4	03019310	wiring harness W4	1		
W42	03019290	wiring harness W42	1		
WS5	---	Spare part on request	1		97130017 wiring harness WS5
WS6	03019340	cable loom WS6	1		
WS7	03019420	cable loom WS7	1		

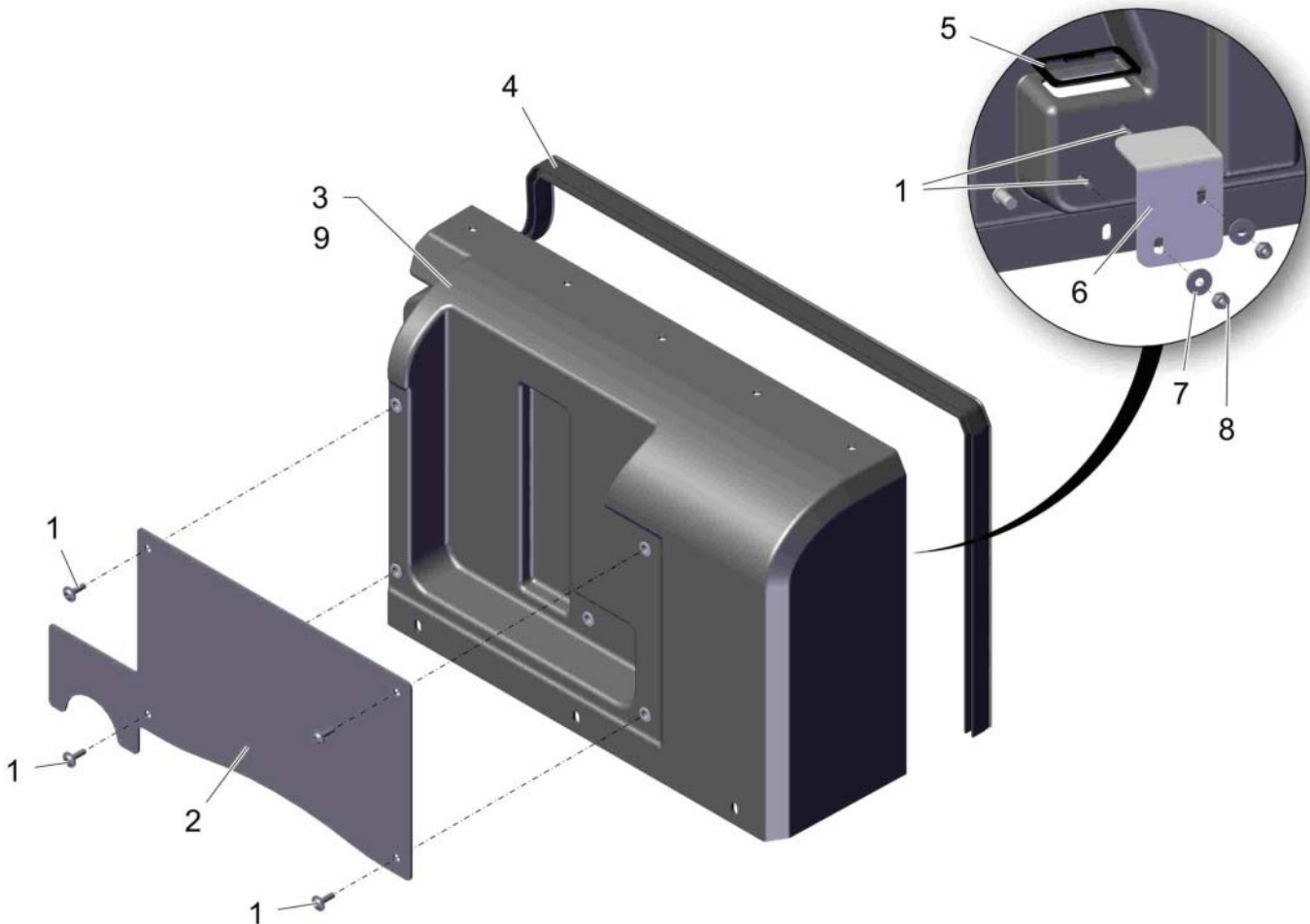
Wiring harness W1 (03022850)

Cpl. harness is available with p/n 03022850



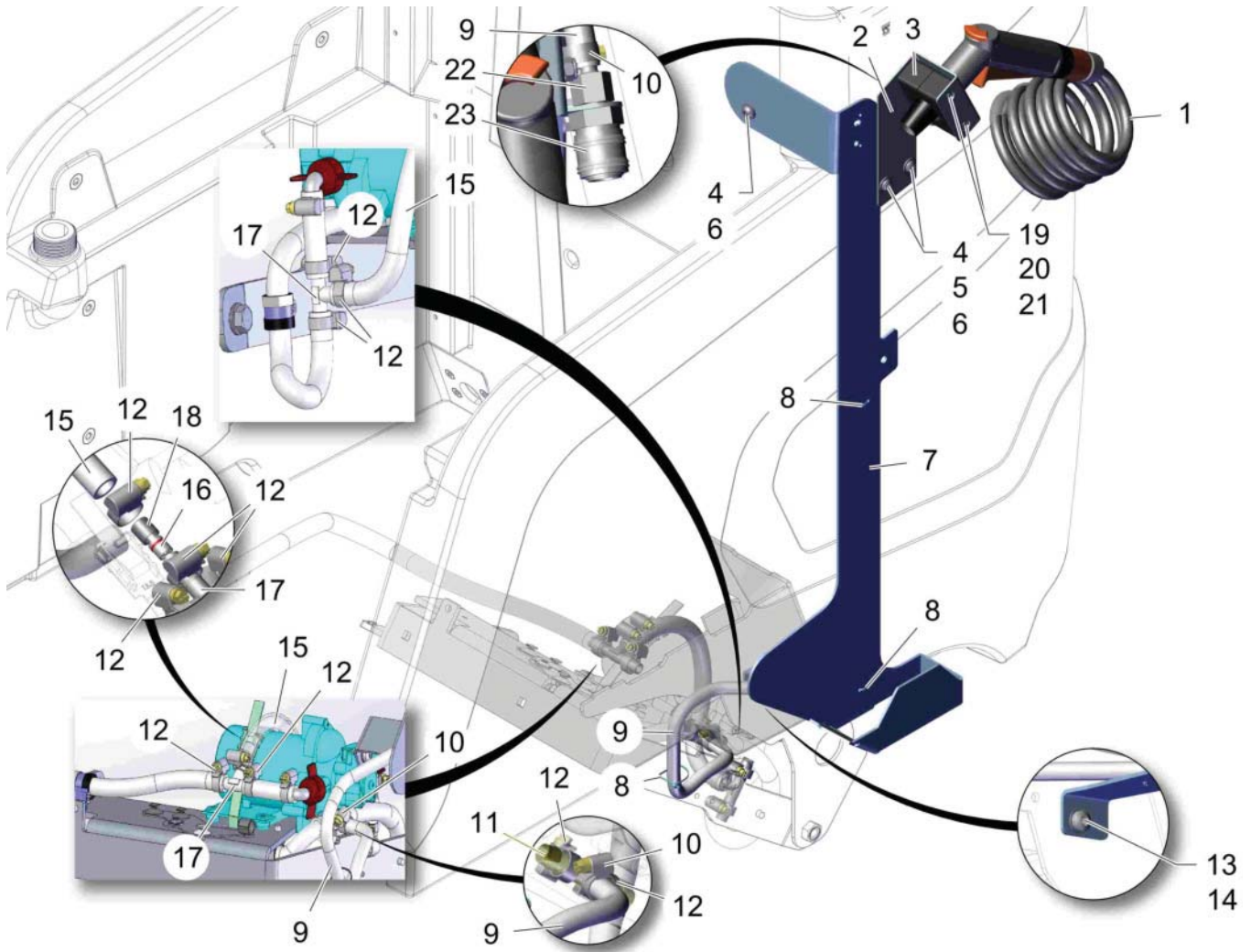
Item	Part number	Description	Qty.	Unit	Remarks
1	01378080	retainer	1		
2	01075720	Connector red	1		
3	00053650	Countersunk screw	2		
4	00053730	Washer	2		
5	00051520	Hex. Nut	2		

Cover (97146187)



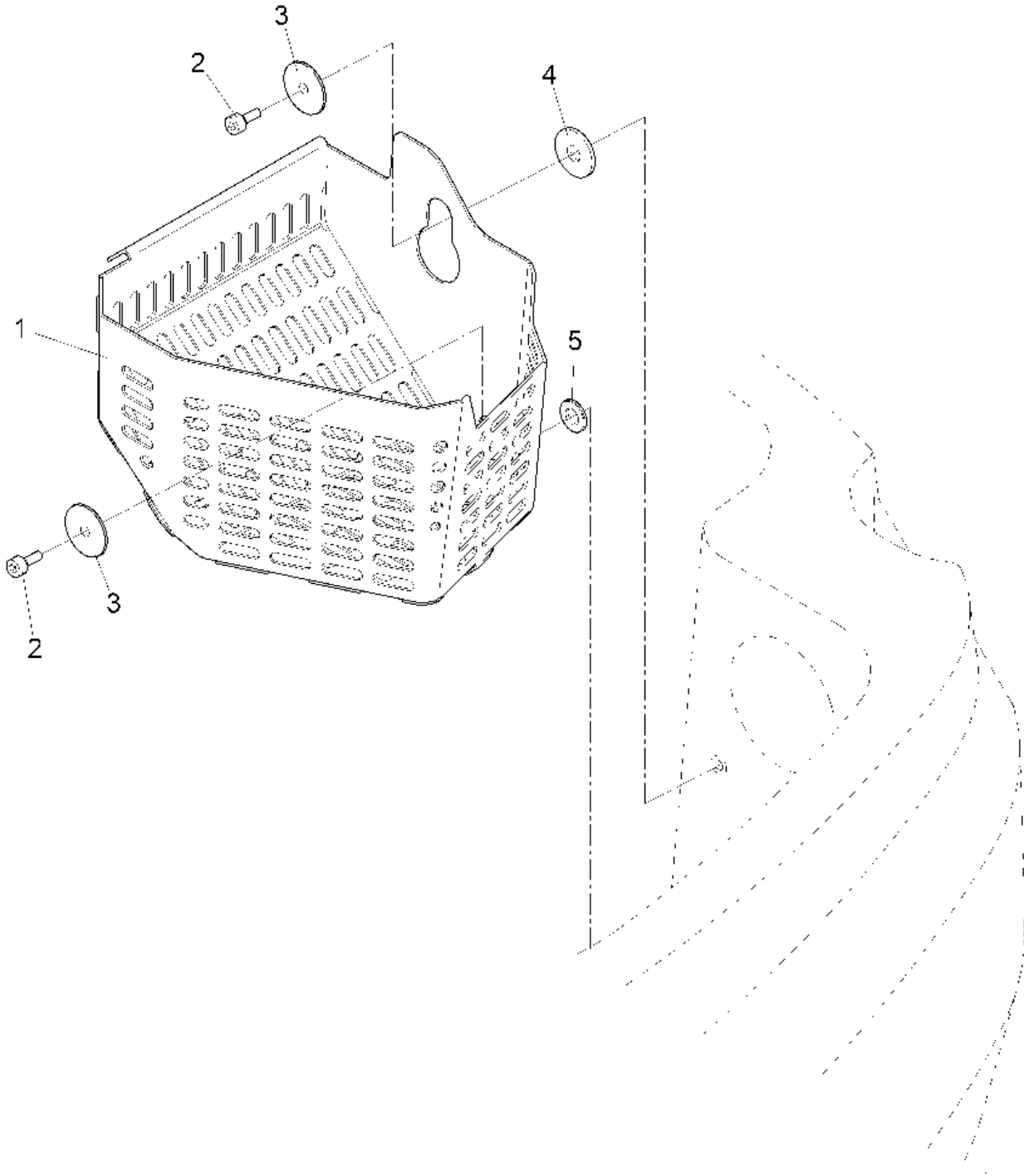
Item	Part number	Description	Qty.	Unit	Remarks
1	01017640	Lens flange screw	6		
2	01370290	plate	1		
3	01370470	covering	1		
4	00800100	Edge protection	1,160		
5	01278180	Gasket	1		
6	---	Spare part on request	1		90683756 angle
7	00854210	Washer	2		
8	00102140	Hex. Nut	2		
9	01494530	Rivet nut	5		

Sprinkle nozzle includes holder (97147185)



Item	Part number	Description	Qty.	Unit	Remarks
1	01372240	spray pistol with hose	1		
2	01376950	retainer	1		
3	01477410	pair of clamping	1		
4	01074320	Lens flange screw	3		
5	01278230	Detent edged washer	3		
6	00971400	Hex. Nut	2		
7	01372600	base retainer	1		
8	00121150	Cable tie	4		
9	01074650	Spiral coiled tube	1,170		
10	00074300	Hose clamp	2		
11	01073020	T-piece	1		
12	01015350	Hose clamp	9		
13	01272710	Lens head screw	1		
14	00740090	Detent edged washer	1		
15	00112010	Hose	0,310		
16	01371810	recycling stop	1		
17	00976160	T-piece	2		
18	01372620	plain bearing bush	1		
19	01271540	Socket head screw	2		
20	00053730	Washer	2		
21	00051520	Hex. Nut	2		
22	00552600	Hose nipple	1		
23	00552590	Quick hitch	1		

Rough mud strainer (97132310)



Item	Part number	Description	Qty.	Unit	Remarks
1	01375840	rough dirt strainer	1		
2	01178830	Socket head screw	2		
3	01377400	guide piece	2		
4	00902280	Washer	1		
5	00101550	Washer	1		

“Excellence Meets Clean”

**Minuteman is a Full Line Manufacturer of Sweepers and Scrubbers,
for Industrial Facilities.**